

Ford

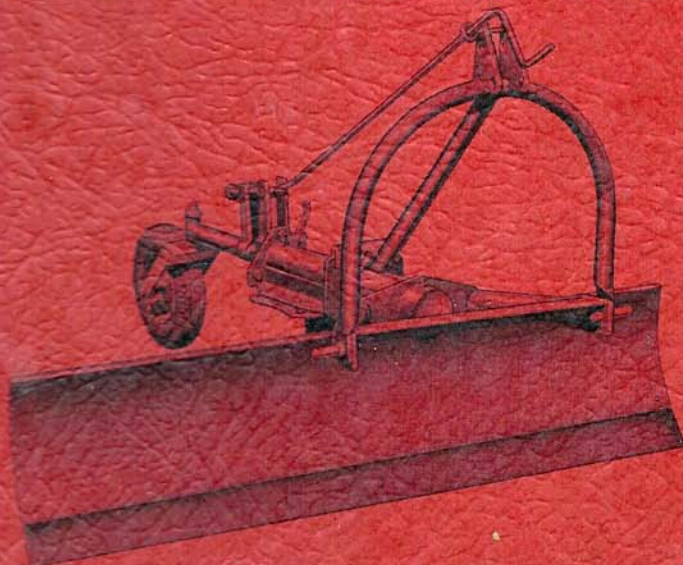
BLADE AND SCOOP

DOZER FRAME

UNIVERSAL FRAME

SNOW PLOW

MASTER PARTS BOOK



AUGUST, 1955

TRACTOR AND IMPLEMENT DIVISION

Ford Motor Company

2500 E. Maple Road, Birmingham, Michigan, U.S.A.

www.ntractorclub.com

Blades and Scoops

MASTER PARTS BOOK

PREFACE

This publication has been prepared to give our distributors and dealers a complete coverage of Blades and Scoops.

Three new implements are being introduced, plus a rework of art and text on all the other models.

For Dealers a suggested Display of Fast Moving Service Parts can be found on Page 48.

TRACTOR AND IMPLEMENT DIVISION

Ford Motor Company

2500 E. Maple Road, Birmingham, Michigan

INSTRUCTIONS FOR LOCATING PARTS WITHIN THIS BOOK

1. If the Part Number is not known---
 - a. Turn to the Group Index or the Model Illustrations in the front of the book and ascertain the group in which the part is most likely to appear in the Parts List.
 - b. Turn to the indicated group and refer to the illustration preceding that group and locate the desired part on that illustration.
 - c. Ascertain the item number of the part desired and locate it on the immediately following Parts List by using the "figure" column.

2. If the Part Number is known---
 - a. Turn to the Numerical Index and locate the part in numerical sequence.
 - b. Turn to the page number listed and locate the desired part in the Parts Lists.

Blades and Scoops

MODEL INDEX

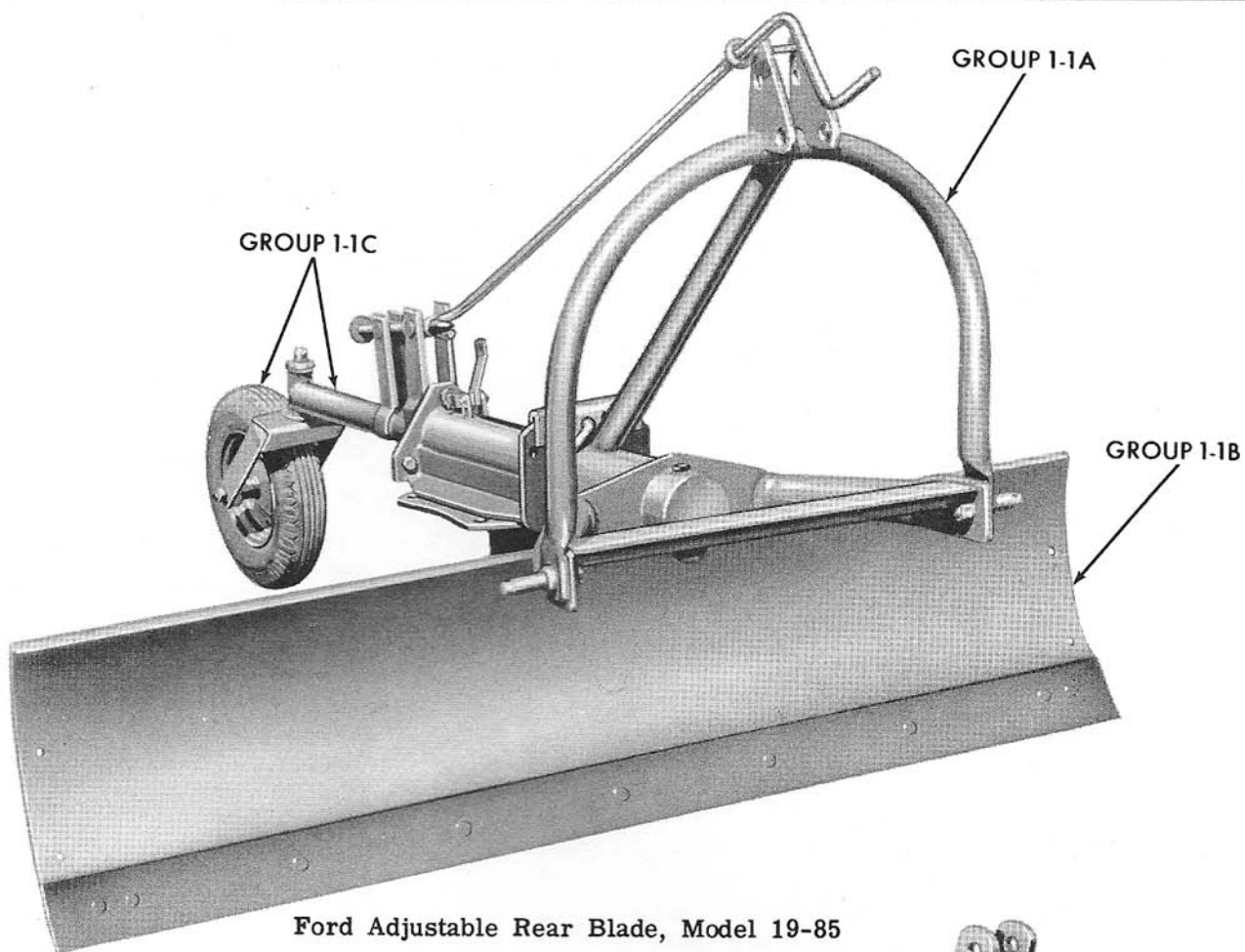
<u>Model No.</u>	<u>Description</u>	<u>Group No.</u>
19-1	Universal Frame (Used w/8N Tractor)..... (1947-52)	2-2
19-2	Angle Dozer (1947-)	2-3
19-3	Blade Snow Plow..... (1947-)	2-4
19-4	“V” Snow Plow (1947-53)	2-5
19-5	Utility Blade..... (1947-54)	1-4
19-6	Scoop..... (1947-)	3-2
19-16	Danuser All Purpose Blade, 6 Foot, 7 Hole (1947-54)	1-3
19-19	Gauge Wheel Attachment for Model 19-5 (1949-54)	1-4C
19-34	Danuser All Purpose Blade, 8 Foot, 7 Hole (1950-54)	1-3
19-50	Danuser All Purpose Blade, 6 Foot, 9 Hole (1952-54)	1-3
19-51	Danuser All Purpose Blade, 8 Foot..... (1952-54)	1-3
19-55	Universal Frame (Used w/8N and NAA Tractors) .. (1952-)	2-2
19-72	Economy Blade (1954-)	1-2
19-73	Point, Ditching (Replaced by 194775)..... (1954-54)	1-1B, 2A
19-74	Side Plates (Set of 2) (Replaced by 194776) (1954-54)	1-2A
19-75	Danuser FMD Blade Adapter Kit (Replaced by 221472) (1954-)	1-3D
19-76	Danuser All Purpose Blade, 6 Foot, 7 Hole, Less Top Link (1954-)	1-3
19-77	Danuser All Purpose Blade, 8 Foot, 7 Hole, Less Top Link (1954-)	1-3
19-78	Danuser All Purpose Blade, 6 Foot, 9 Hole, Less Top Link (1954-)	1-3
19-79	Danuser All Purpose Blade, 8 Foot, 9 Hole, Less Top Link (1954-)	1-3
19-80	Ford Dozer Frame (1955-)	2-1
19-84	Ford Reversible Scoop..... (1955-)	3-1
19-85	Ford Adjustable Rear Blade (1955-)	1-1
194775	Point, Ditching (1954-)	1-1B, 2A
194776	Side Plates (Set of 2) (1954-)	1-1B, 2A
221472	Danuser FMD Blade Adapter Kit (1954-)	1-3D
19-86	Gauge Wheel For Adjustable Rear Blade (1955-)	1-1C
19-91	Hydraulic Cylinder Control Dozer Attachment for use w/Model 19-80 (1955-)	2-1B
19-92	Hydraulic Cable Control Dozer Attachment for use w/Model 19-80 (1955-)	2-1A

Blades and Scoops

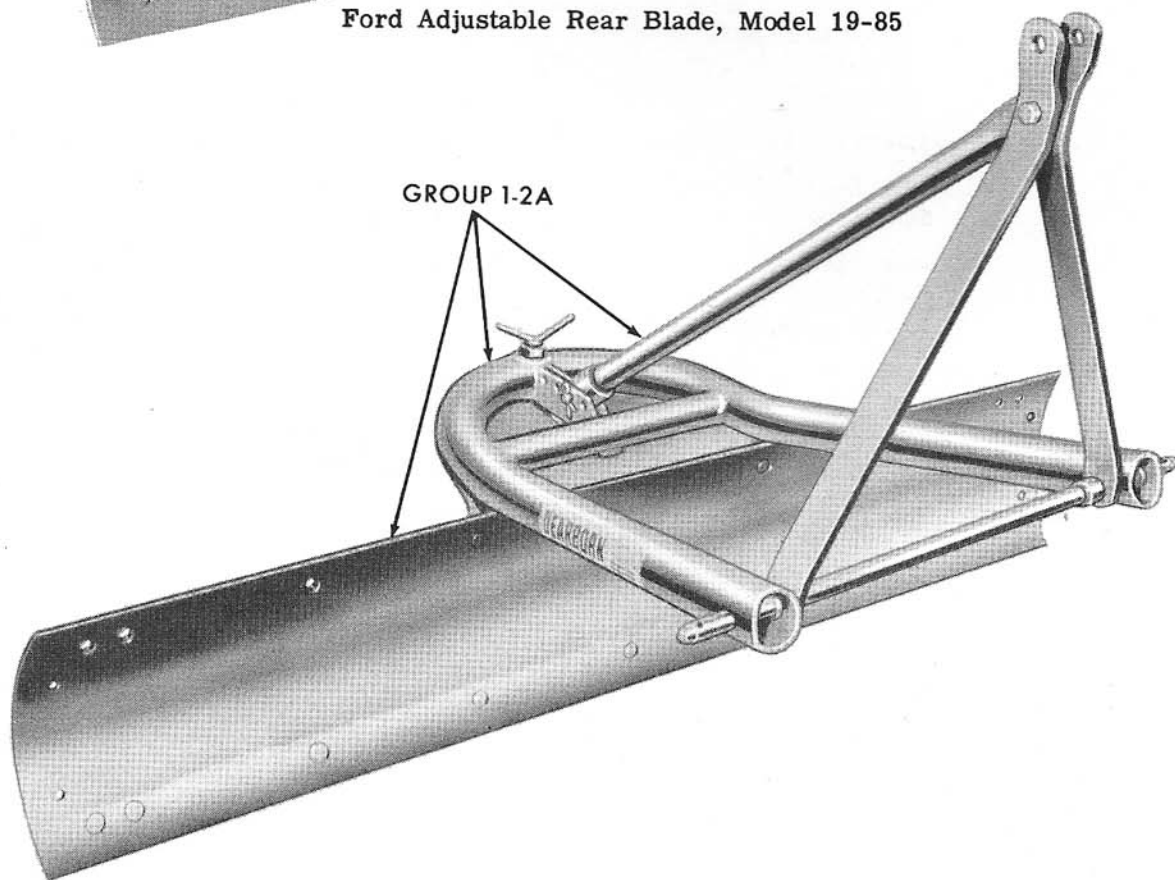
GROUP INDEX

<u>Group No.</u>	<u>Name</u>	<u>Page No.</u>
1	BLADES	13
1-1	Ford Adjustable Rear Blade, Model 19-85	13
1-1A	Frame Assembly	13
1-1B	Blade Assembly, Side Plates & Points	14, 15
1-1C	Gauge Wheel, Model 19-86	16, 17
1-2	Dearborn Economy Blade, Model 19-72	19
1-2A	Frame, Blade & Attachments	19
1-3	Danuser Blades, Model 19-16, 34, 50, 51, 76, 77, 78, 79	21
1-3A	Frame Assembly	21
1-3B	Pitch Control Assembly	22
1-3C	Blade Assembly	23
1-3D	FMD Blade Adapter Kit, No. 221472	24
1-4	Utility Blade & Attachments Model 19-5	26
1-4A	Frame Assembly	26, 27
1-4B	Blade Assembly	28
1-4C	Gauge Wheel Attachment	31
2	UNIVERSAL FRAME, Dozer Frame & Attachments	33
2-1	Ford Dozer Frame, Model 19-80	33
2-1A	Hydraulic Cable Control	34
2-1B	Hydraulic Cylinder Control	35, 36
2-1C	Remote Control Cylinder	37
2-2	Universal Frames, Models 19-1	39
2-3	Angle Dozer, Model 19-2, w/Side Plates & Skid Shoes	41
2-4	Blade Snow Plow, Model 19-3, w/Side Plates & Skid Shoes	43
2-4A	Release Spring Attachment	43
2-5	“V” Snow Plow, Model 19-4	45
3	SCOOPS	
3-1	Ford Reversible Scoop, Model 19-84	46
3-2	Scoop, Model 19-6	47
4	DISPLAY	
4-1	Display of Blade and Scoop Parts	48

Blades and Scoops



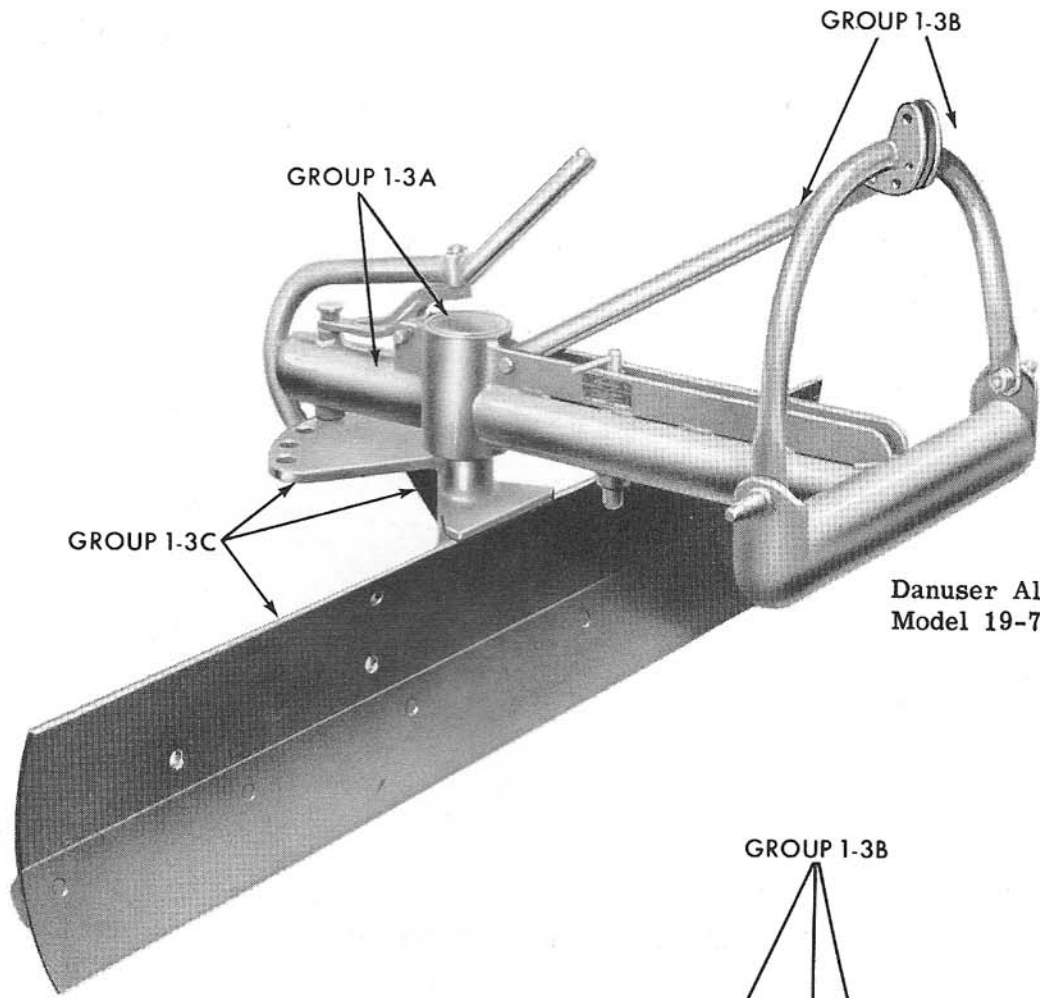
Ford Adjustable Rear Blade, Model 19-85



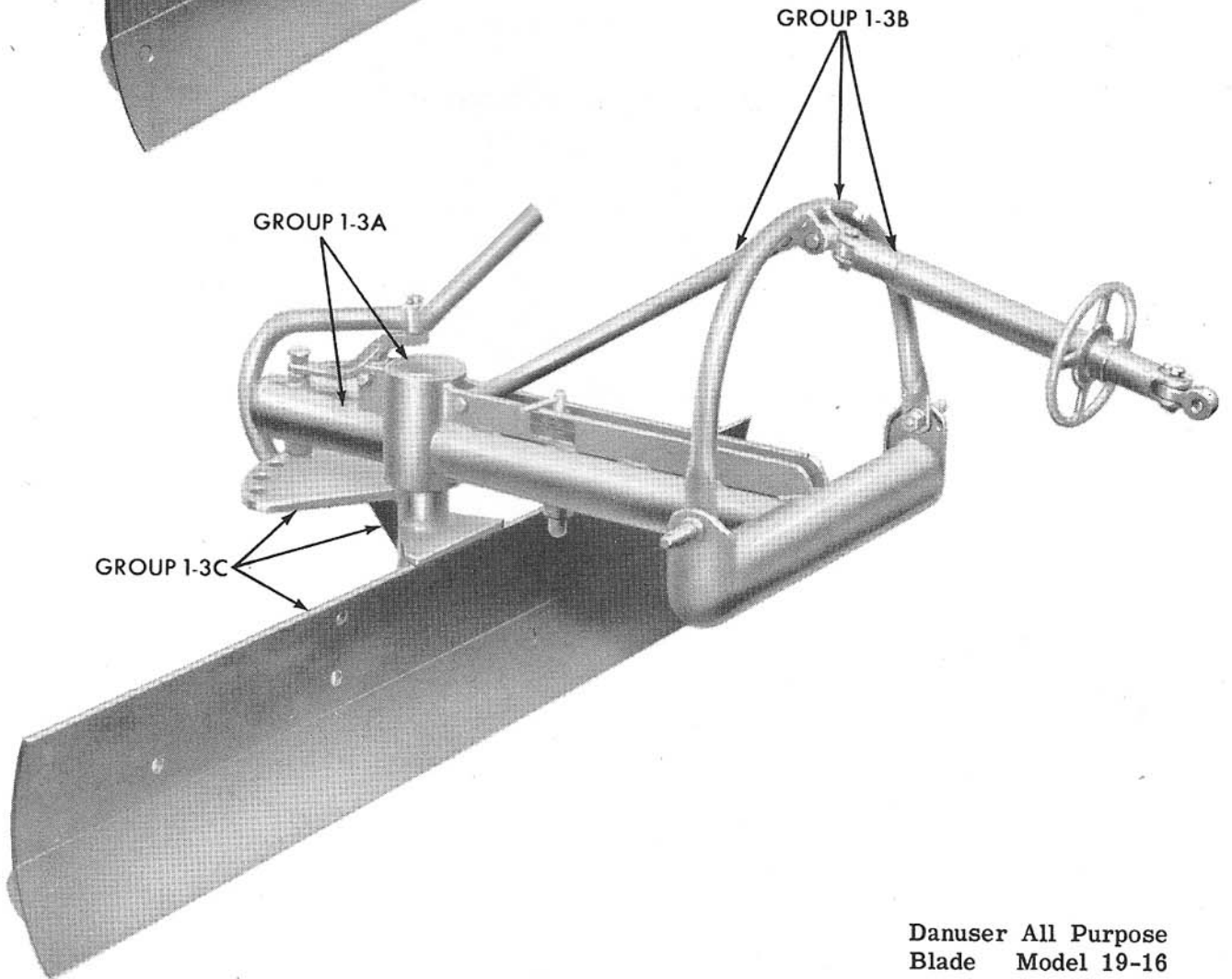
Economy Blade, Model 19-72

Figure 1 - Ford Adjustable Rear & Economy Blades

Blades and Scoops



Danuser All Purpose Blade
Model 19-76



Danuser All Purpose
Blade Model 19-16

Figure 2 - Danuser All Purpose Blades

Blades and Scoops

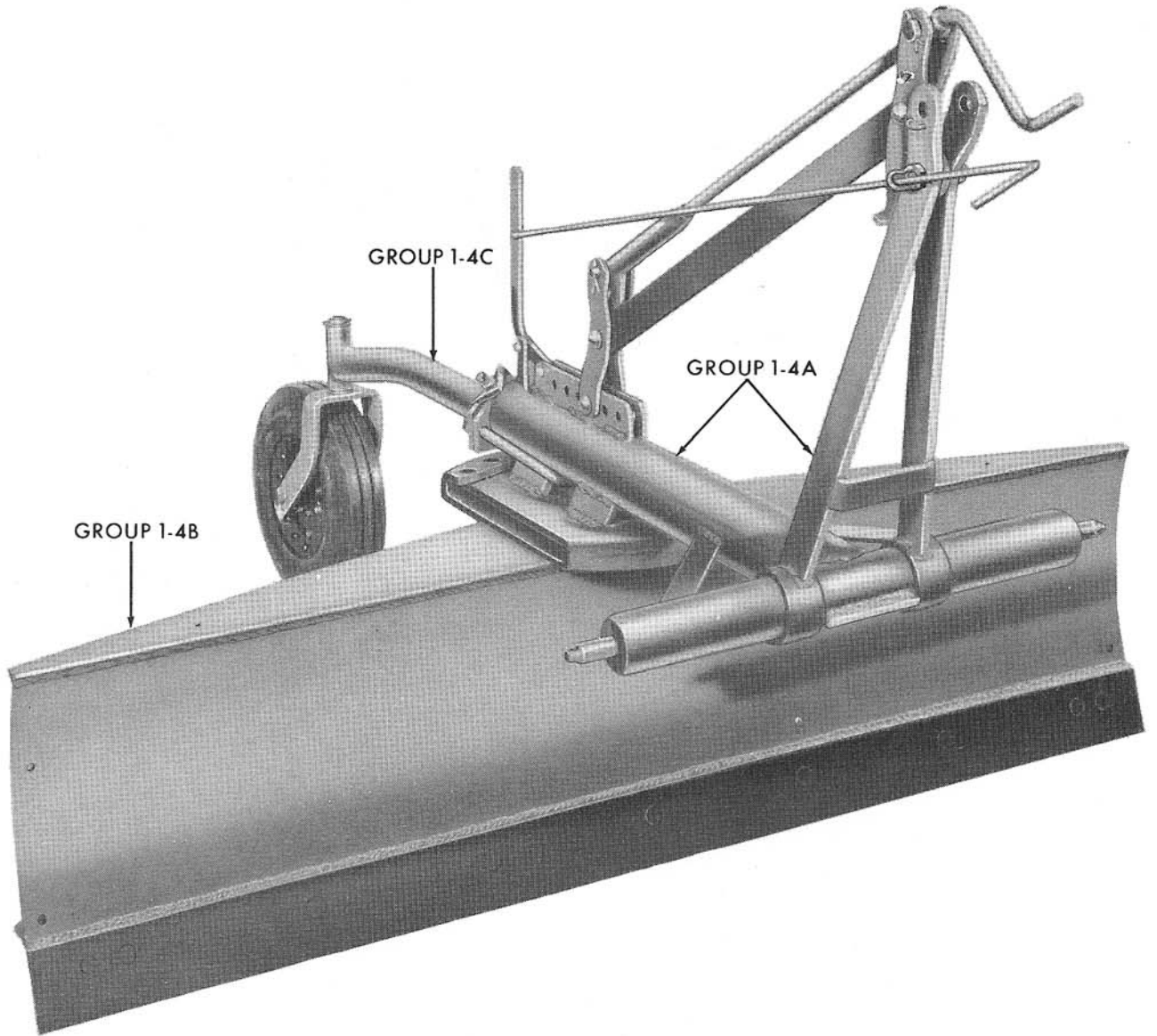


Figure 3 - Dearborn Utility Blade - Model 19-5
W/Gauge Wheel Attachment - Model 19-19

Blades and Scoops

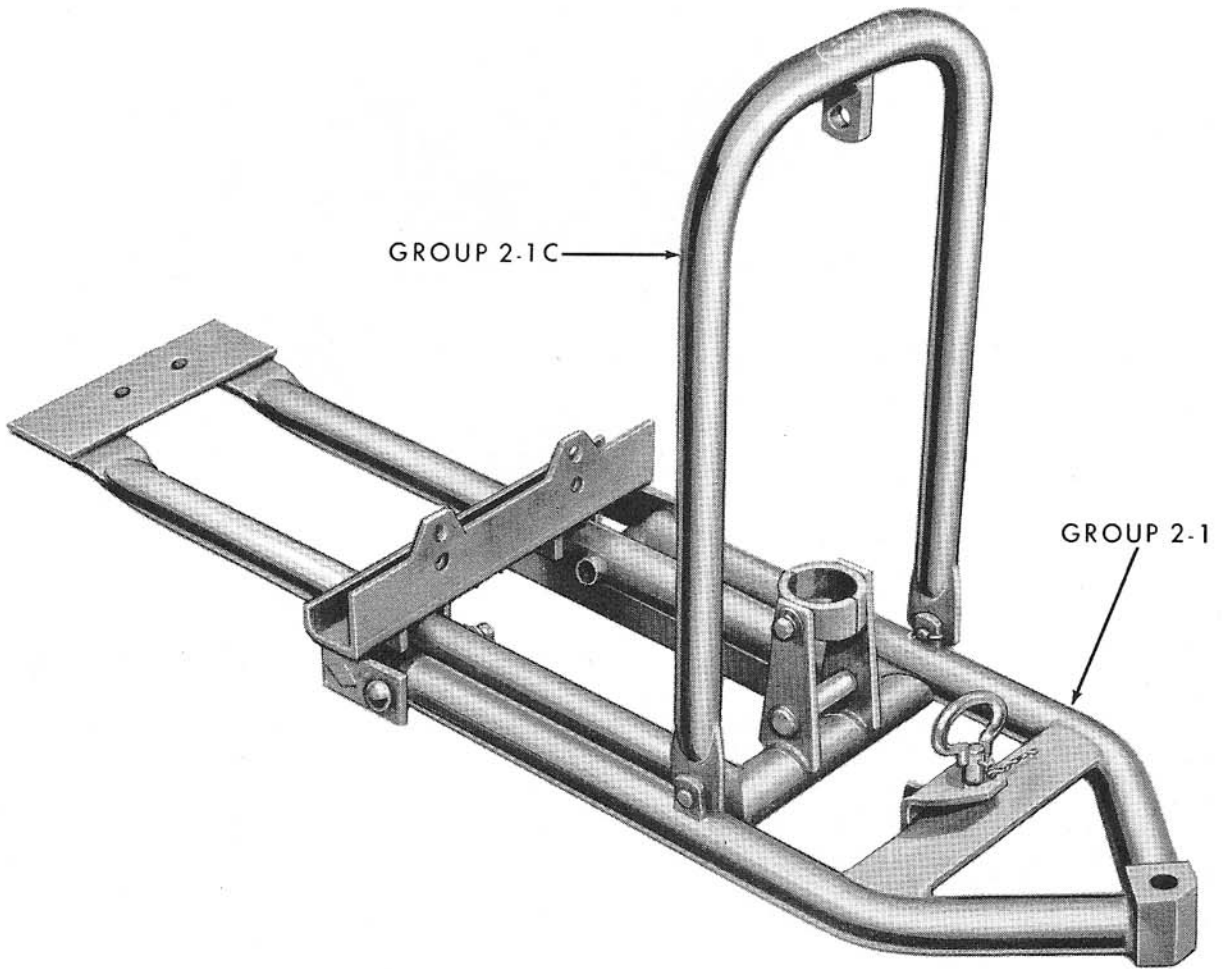


Figure 4 - Ford Dozer Frame - Model 19-80

Blades and Scoops

Model 19-55

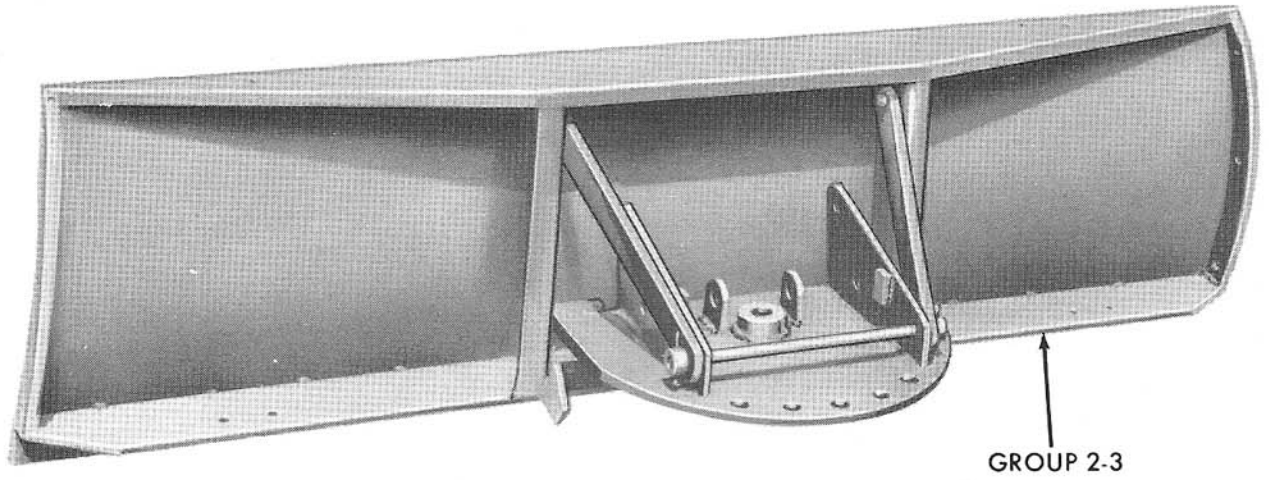
GROUP 2-2

GROUP 2-2

Model 19-1

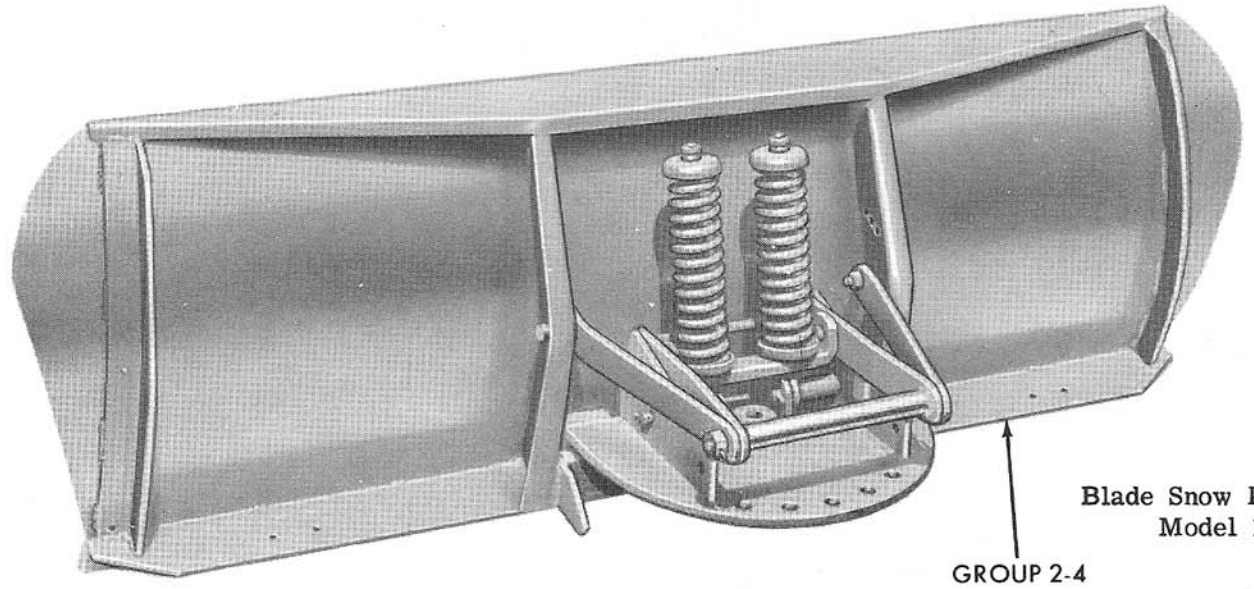
Figure 5 - Dearborn Universal Frame - Model 19-55, 19-1

Blades and Scoops



GROUP 2-3

Dearborn Angle Dozer - Model 19-2

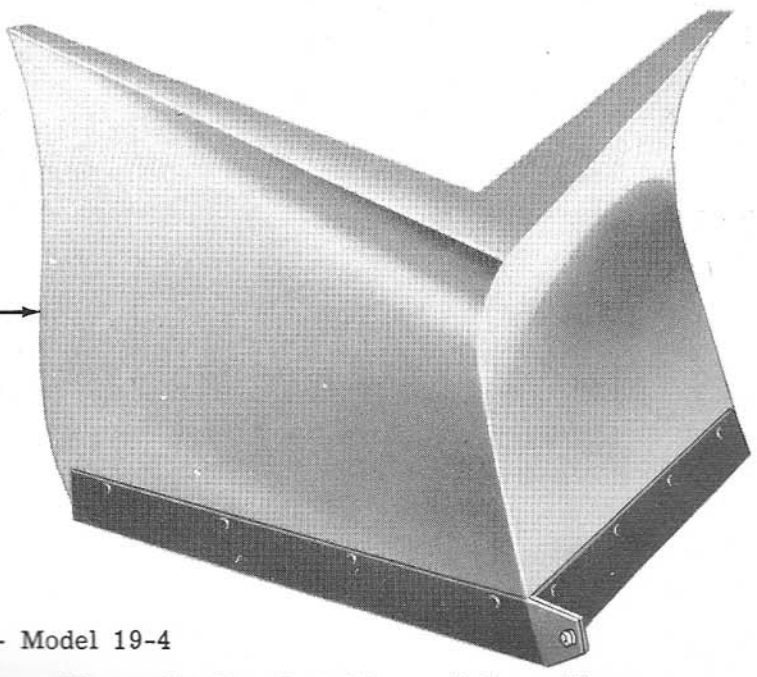


Blade Snow Plow
Model 19-3

GROUP 2-4

Use these
blades on:
Dozer Frame
Universal Frame

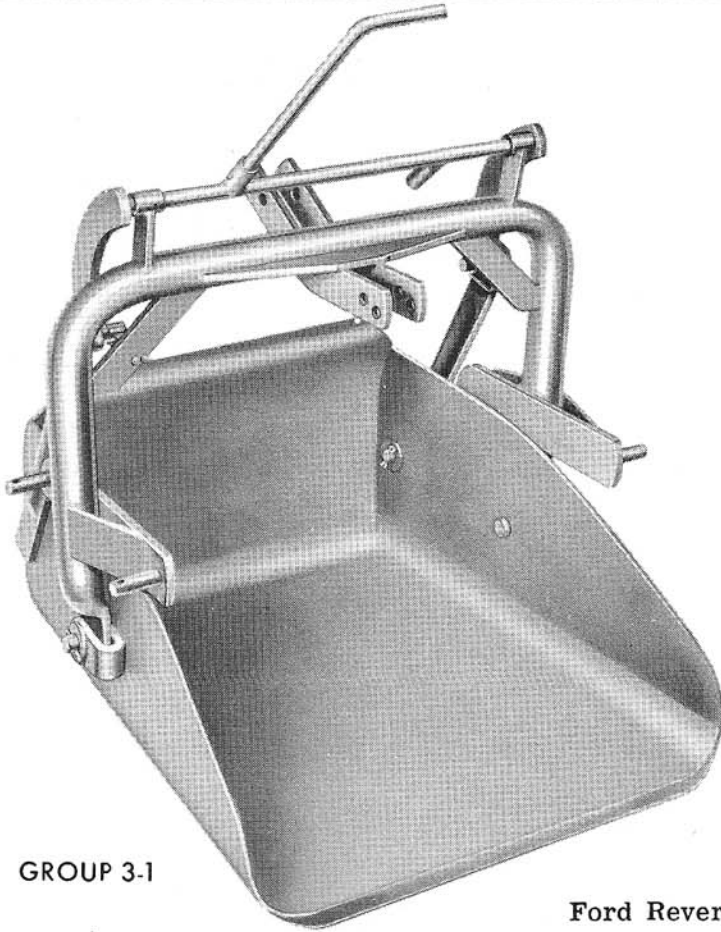
GROUP 2-5 →



Dearborn V Snow Plow - Model 19-4

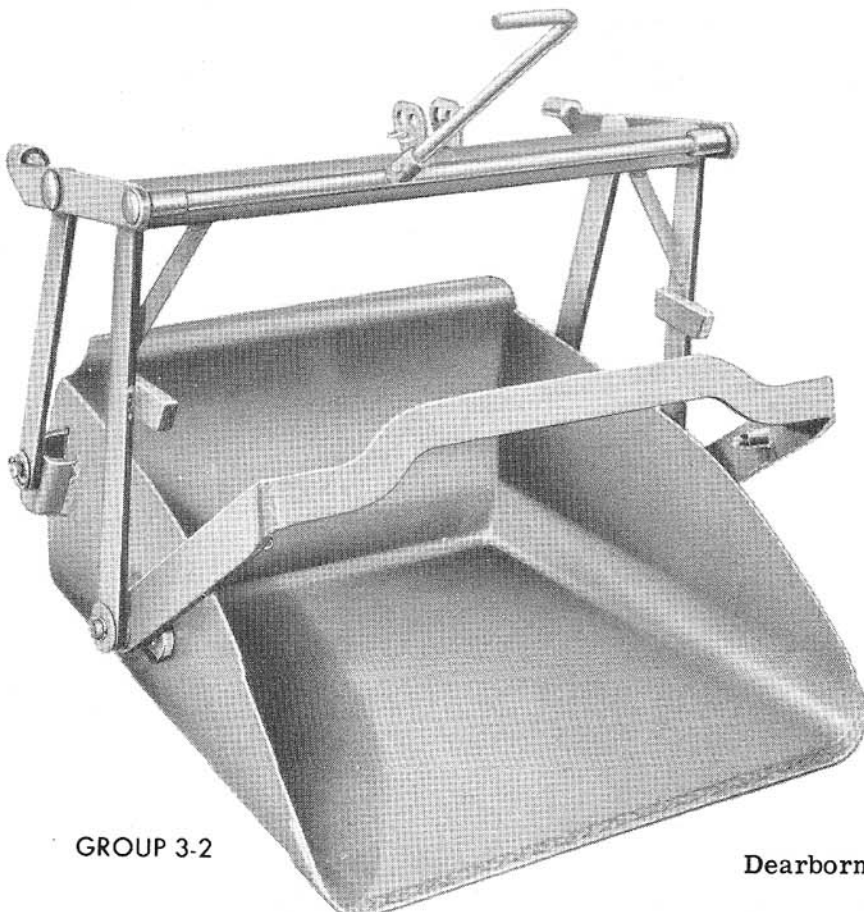
Figure 6 - Dearborn Dozer & Snow Plows

Blades and Scoops



GROUP 3-1

Ford Reversible Scoop - Model 19-84



GROUP 3-2

Dearborn Scoop - Model 19-6

Figure 7 - Scoops

Group 1-BLADES

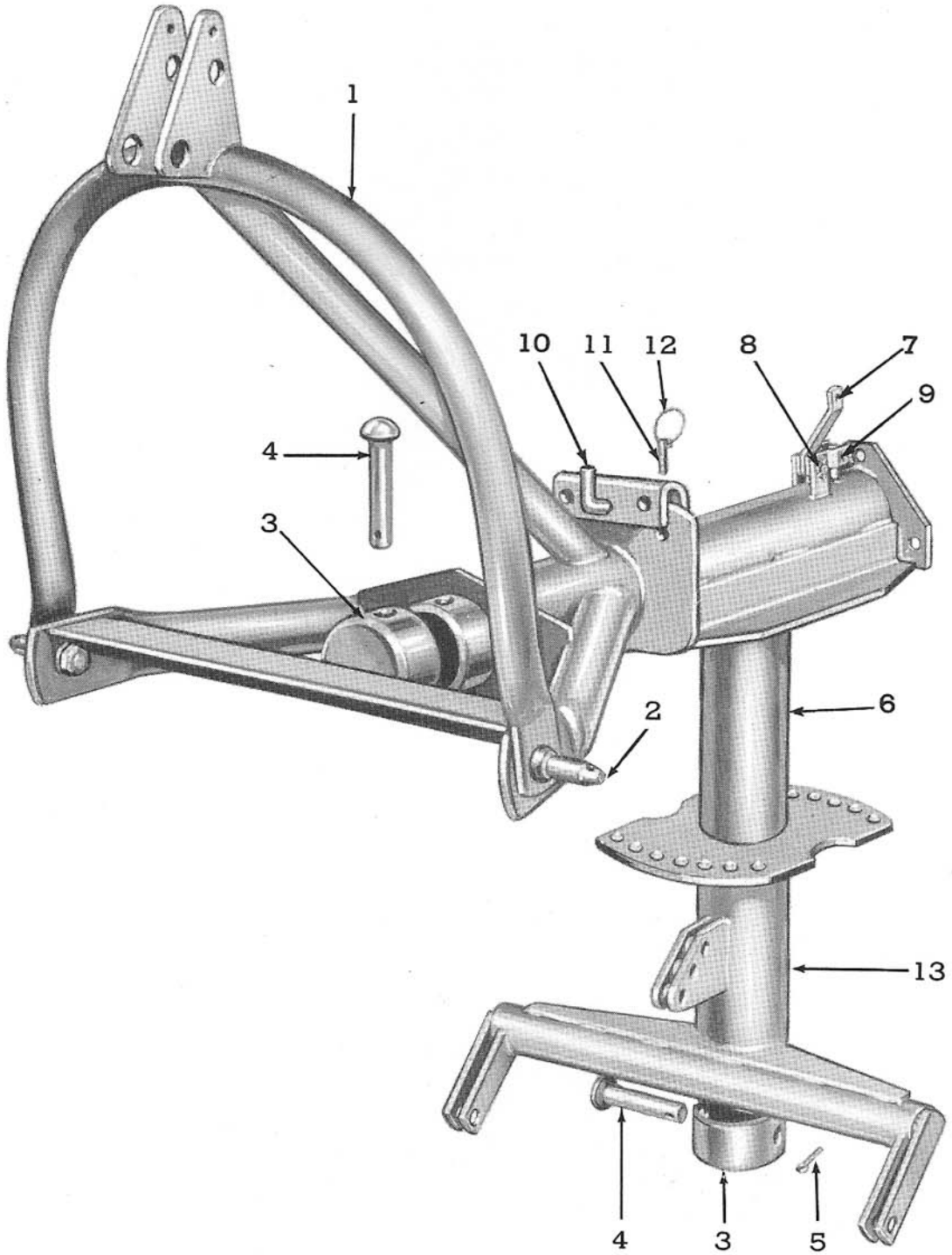


Figure 8 - Frame & Turntable Parts

Blades

FIG. 8	PART NO.	NAME AND DESCRIPTION	QTY. REQ.
		Group 1-1—FORD ADJUSTABLE REAR BLADE	
		Group 1-1A—FRAME & TURNTABLE PARTS	
1	194780	FRAME ASSEMBLY, Adjustable Rear Blade	1
2	103880	PIN, Link	2
-		LOCKWASHER, 5/8" } Link Pin to Frame	2
-		NUT, 5/8" - 18 Hex }	2
3	194829	COLLAR, Thrust (Welded Assembly)	2
4	303981	PIN, 1 x 4-23/32" (5) Rivet, Button Hd Drld.)	2
5		COTTER PIN, 3/16 x 1-1/4" Collar to Tubes	2
-		FITTING, Lube, 5/16 x 19/32" Drive-Frame	1
6	194790	TUBE, Turntable (Welded Assembly)	1
-		FITTING, Lube, 5/16 x 19/32" Drive	1
7	195241	LIFTER, Pin	1
8		PIN, 3/8 x 2-5/16" Clevis } Lifter to Sleeve Assy.	1
-		WASHER, 3/8" }	1
-		COTTER PIN, 3/32 x 3/4" }	1
-	195239	PIN, Lifter	1
-	195237	SPRING, Lifter Pin	1
9	195234	LINK, Connecting	1
-	195235	LINK, Coupler } Lifter to Pin	1
-		COTTER, Pin, 3/32 x 1/2" }	1
10	194815	PIN, 3/4" Pull }	4
11	2N-574	PIN, Linch } Frame to Sleeve (1)	4
12	2N-575	RING, Linch Pin } Sleeve to Blade (3)	4
13	194800	SLEEVE, Turntable (Welded Assembly)	1
--	305225	DECAL, 1-13/16 x 5-17/32" "Ford"	1

Blades

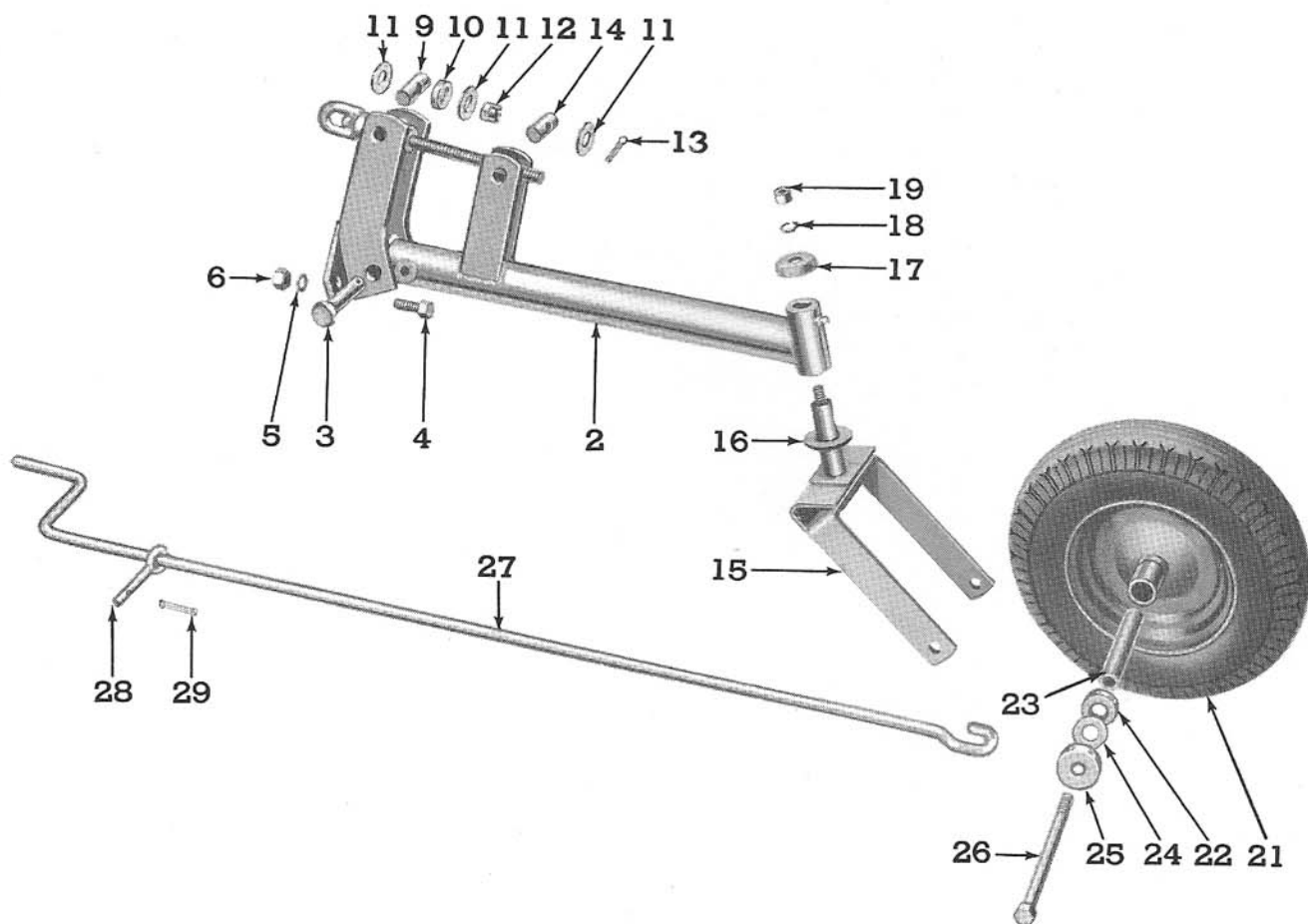


Figure 10 - Gauge Wheel Attachment

FIG. 10	PART NO.	NAME AND DESCRIPTION	QTY. REQ.
		Group 1-1C—GAUGE WHEEL ATTACHMENT, Model 19-86	
1	195232	BRACKET, Gauge Wheel (Welded Assembly)	1
2	194596	ARM, Gauge Wheel (Welded Assembly)	1
3	303959-S8	PIN, 7/8 x 3-23/32" (4) Rivet, Button Hd, Drld } Bracket to Arm COTTER PIN, 1/4 x 1-1/2" }	1
4		BOLT, 5/8" - 11 x 1-1/2" Hex Hd } Bracket to Tube	3
5		LOCKWASHER, 5/8" }	
6		NUT, 5/8" - 11 Hex }	

Blades

FIG. 10	PART NO.	NAME AND DESCRIPTION	QTY. REQ.
Group 1-1C - GAUGE WHEEL ATTACHMENT, Model 19-86 (Cont'd)			
7	194590	SCREW, Gauge Wheel (Welded Assembly)	1
8	194588	SPACER, Gauge Screw	1
9	194581	PIN, Gauge Screw Pivot	1
10	194671	BEARING, Gauge Screw	1
11		WASHER, 3/4" Flat	1
12		NUT, 3/4" - 10 Hex, Slotted	3
13		COTTER PIN, 1/8 x 1-1/4"	1
14	194587	PIN, Arm Adjusting	2
15	220976	FORK, Gauge Wheel (Welded Assembly)	1
16		WASHER, 1-1/4" Flat	1
17	220717	CAP, Dust	1
18		LOCKWASHER, 5/8" } Fork to Arm	1
19		NUT, 5/8" - 11 Hex }	1
20		FITTING, Lube, 1/8" - 27 x 3/4" Str.-Arm	1
21	147080	WHEEL ASSEMBLY, Gauge	1
		Consists of Wheel plus:	
22	147076	BEARING, Wheel	2
23	144949	SPACER, .687 x 1 x 6-1/16" Tube	1
24	147075	WASHER, Hub	2
25	147077	CUP, Hub	2
26	302924-S8	BOLT, 5/8" - 11 x 8" Hex Hd. } Wheel to Fork	1
--		LOCKWASHER, 5/8" }	
--		NUT, 5/8" - 11 Hex }	
--		FITTING, Tube, 3/16 x 19/32" Drive - Hub	1
27	194591	CRANK, Gauge Screw	1
28	194818	PIN, Eye	1
29		COTTER PIN, 1/8 x 1" - Pin	1

Blades

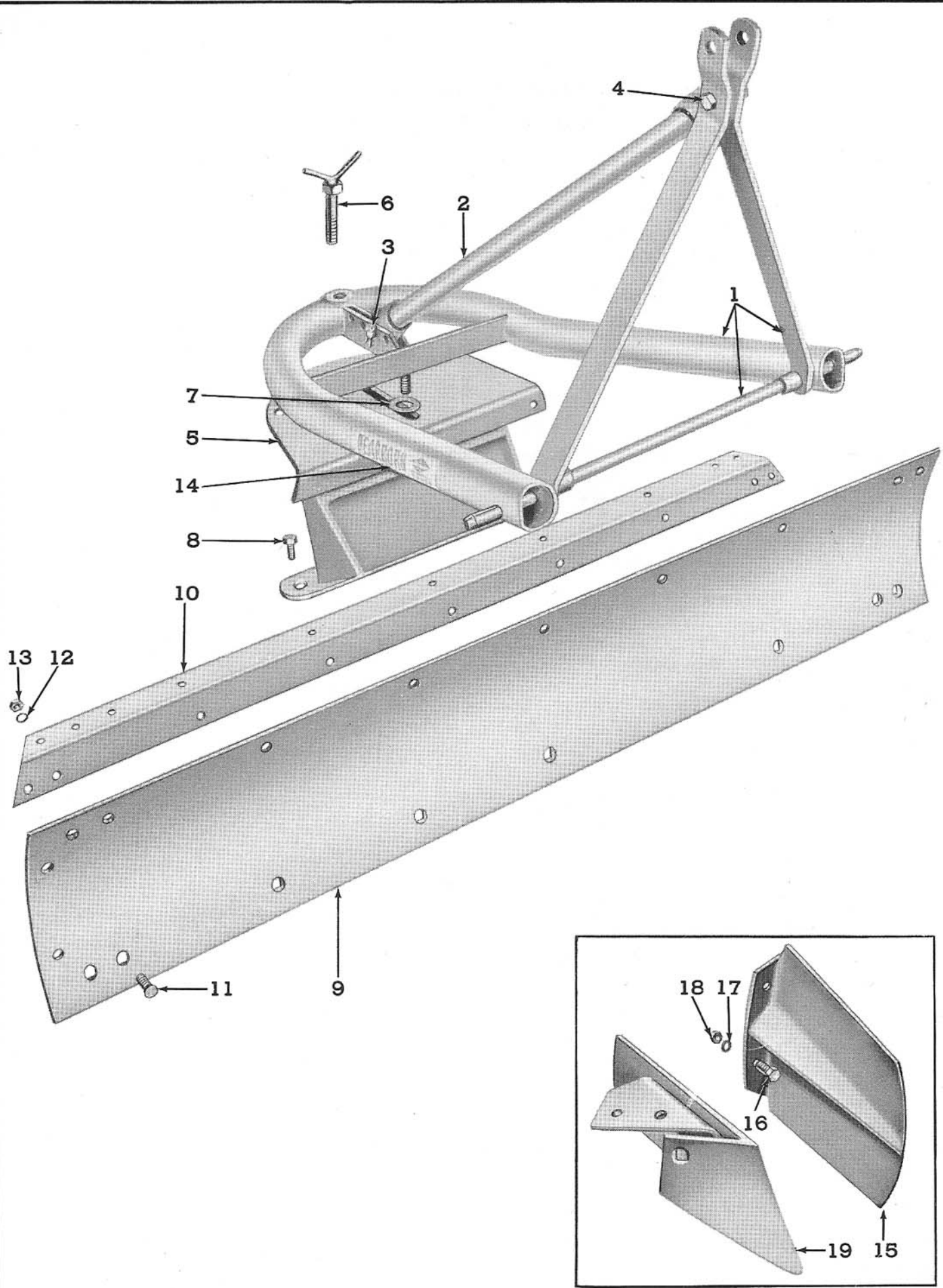


Figure 11 - Dearborn Economy Blade, Model 19-72

Blades

FIG. 11	PART NO.	NAME AND DESCRIPTION	QTY. REQ.
		Group 1-2—DEARBORN ECONOMY BLADE, Model 19-72	
		Group 1-2A—FRAME, Blade & Attachments	
1	194610	FRAME (Welded Assembly)	1
2	194626	BAR, Pitch	1
3		PIN, 5/8 x 1-11/16" Clevis } Pitch Bar to Frame	1
-		COTTER PIN, 3/16 x 1-1/4" }	
4		BOLT, 5/8" - 11 x 2" Hex Hd. } Pitch Bar to Frame	1
-		LOCKWASHER, 5/8" }	
-		NUT, 5/8" - 11 Hex }	
5	194617	TURNTABLE (Welded Assembly)	1
6	194622	BOLT, 1"-8 Wing (Welded Assembly) }	
-	194624	NUT, 1"-8 (Welded Assembly) }	
7	103006	WASHER, 1", Flat } Frame to Turntable	1
-		NUT, 1"-14 Slotted Hex }	
-		COTTER PIN, 3/16" x 2" }	
8		BOLT, 5/8" - 11 x 1-1/2" Hex Hd. } Turntable to Reinforcing Angle	2
-		LOCKWASHER, 5/8" }	
-		NUT, 5/8" - 11 Hex }	
9	194628	BLADE, Economy	1
10	194629	ANGLE, Reinforcing	1
11		BOLT, 1/2" - 13 x 1-1/2" Plow } Blade to Reinforcing Angle	
12		LOCKWASHER, 1/2" } and Turntable	11
13		NUT, 1/2" - 13 Hex }	
14	112220	DECAL, Dearborn Equipment	1
15	194776	SIDE PLATES (Set of 2) (Formerly Model 19-74)	1
16		BOLT, 1/2" - 13 x 1-1/4 Hex Hd. } Side Plates to Blade	4
17		LOCKWASHER, 1/2" }	
18		NUT, 1/2" - 13 Hex }	
19	194775	POINT, Ditching (Welded Assembly) (Formerly Model 19-73)	1
--		BOLT, 1/2" - 13 x 1-3/4" Hex Hd. }	1
--		BOLT, 1/2" - 13 x 1-3/4" Plow }	1
--		WASHER, 1/2" Flat } Point to Blade	1
--		LOCKWASHER, 1/2" }	2
--		NUT, 1/2" - 13 Hex }	2
--		BOLT, 5/8" - 11 x 1-3/4" Hex Hd. }	
--		WASHER, 5/8" Flat }	
--		LOCKWASHER, 5/8" }	
--		NUT, 5/8" x 11 Hex }	1

Blades

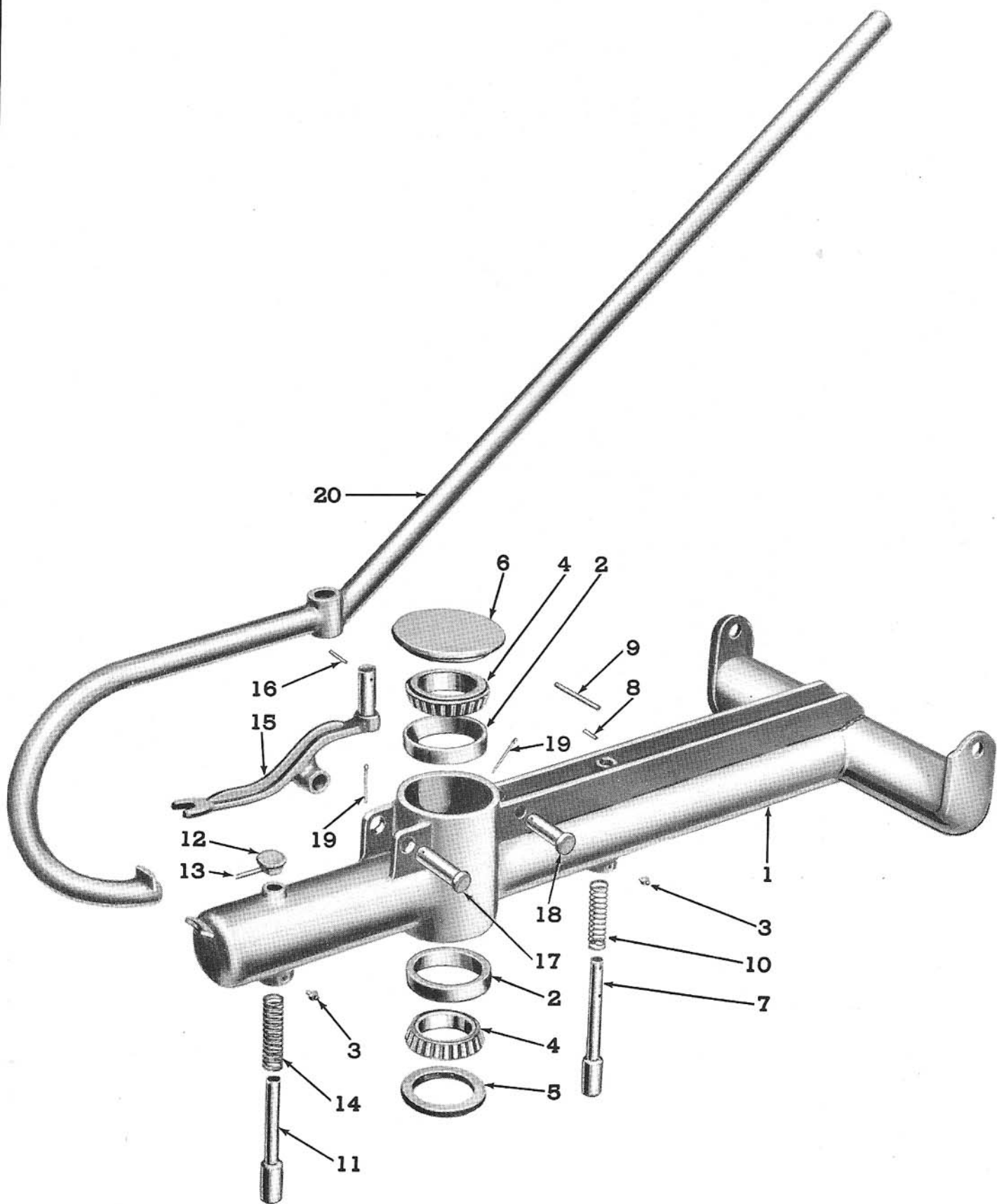


Figure 12 - Frame Assembly

Blades

FIG. 12	PART NO.	NAME AND DESCRIPTION	QTY. REQ.
Group 1-3—DANUSER BLADES, Models 19-16, 34, 50, 51, 76, 77, 78, 79			
Group 1-3A—FRAME ASSEMBLY			
1	191370	FRAME ASSEMBLY, w/Bearing Cups Consists of Welded Frame which is not serviced separately plus Cup listed below:	1
2	191039	CUP, Bearing	2
3		FITTING, Lube 1/4 x 9/16" Drive	2
4	191040	CONE, Bearing	2
5	191038	SEAL, Oil	1
6	191056	COVER, Housing	1
7	191048	PIN, Lock, 3/4" x 1-1/8" x 8-7/16" (Front)	1
8		PIN, 1/4" x 2" - Groove	1
9	191046	HANDLE, Lock Pin, 3/8" x 4"	1
10	191045	SPRING, Lock Pin	1
11	191042	PIN, Lock, 3/4" x 1-1/8" x 7-1/4" (Rear).	1
12	191044	CAP, Lock Pin	1
13		PIN, 1/4" x 2" - Groove	1
14	191043	SPRING, Lock Pin	1
15	191057	LEVER, Lift, Rear Lock Pin	1
16		COTTER PIN, 3/16" x 1-1/4" - Lift Lever	1
17	191023	PIN, Clevis, 7/8" x 3-7/16" - Lift Lever	1
18	221224	PIN, Clevis, 3/4" x 2-3/4" - Control Arm	1
19		COTTER PIN, 3/16" x 1-1/4" - Clevis Pin.	2
20	191014	LEVER, Control (Prior to Serial No. 5034).	1
--	193671	LEVER, Control (After Serial No. 5033).	1

Blades

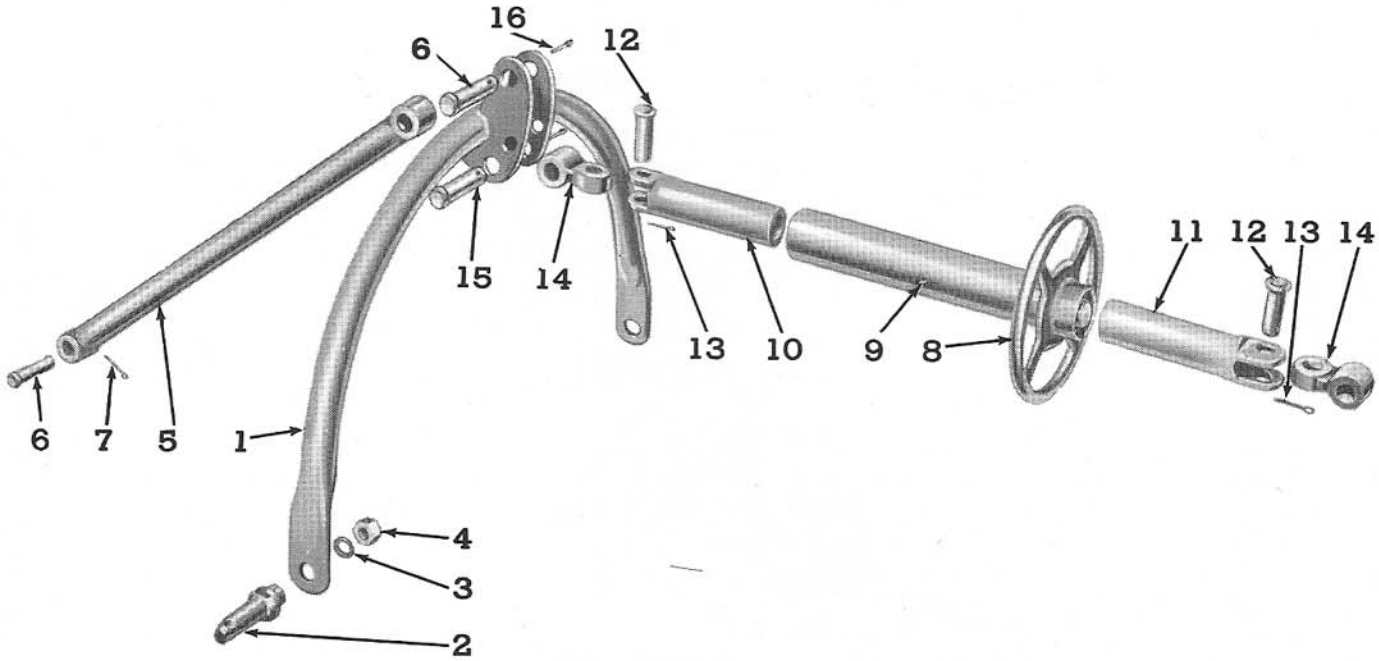


Figure 13 - Pitch Control Assembly

FIG. 13	PART NO.	NAME AND DESCRIPTION	QTY. REQ.	
		Group 1-3B PITCH CONTROL ASSEMBLY	19-16, 34, 50, & 51	19-76, 77, 78 & 79
1	194101	YOKE, Main Frame (Welded Assembly)	1	1
2	194698	PIN, Link, 4-1/2" Tractor Hitch.	2	2
3		LOCKWASHER, 7/8" } Link Pin.	2	2
4		NUT, 7/8" - 14 Hex }	2	2
5	192305	ARM, Pitch Control - Yoke to Frame	1	1
6	221224	PIN, Clevis, 3/4" x 2-3/4" - Control Arm	2	2
7		COTTER PIN, 3/16" x 1-1/4" - Clevis Pin.	2	2
-	192570	LINK ASSEMBLY, Pitch Control.	1	-
		Consists of:		
8	192571*	SCREW, Adjusting (Welded Assembly)	1	-
9		FITTING, Lube, 1/4" x 9/16" Drive	1	-
10	192575	TUBE, Pitch Control (Right Hand Thread).	1	-
11	192576	TUBE, Pitch Control (Left Hand Thread)	1	-
12	191001	PIN, Clevis, 3/4" x 2-7/32" - Tube to Eye	2	-
13		COTTER PIN, 3/16" x 1-1/4" - Clevis Pin.	2	-
14	194490	EYE, Clevis, Pitch Control	2	-
15	221224	PIN, Clevis, 3/4" x 2-3/4" - Clevis Eye	1	-
16		COTTER PIN, 3/16" x 1-1/4" - Clevis Pin.	1	-
		NOTE:		
		* Effective on Serial #9800, prior to the above, the following adjusting screw was used:		
--	191007	SCREW ADJUSTING (Welded Assembly)	1	-

Blades

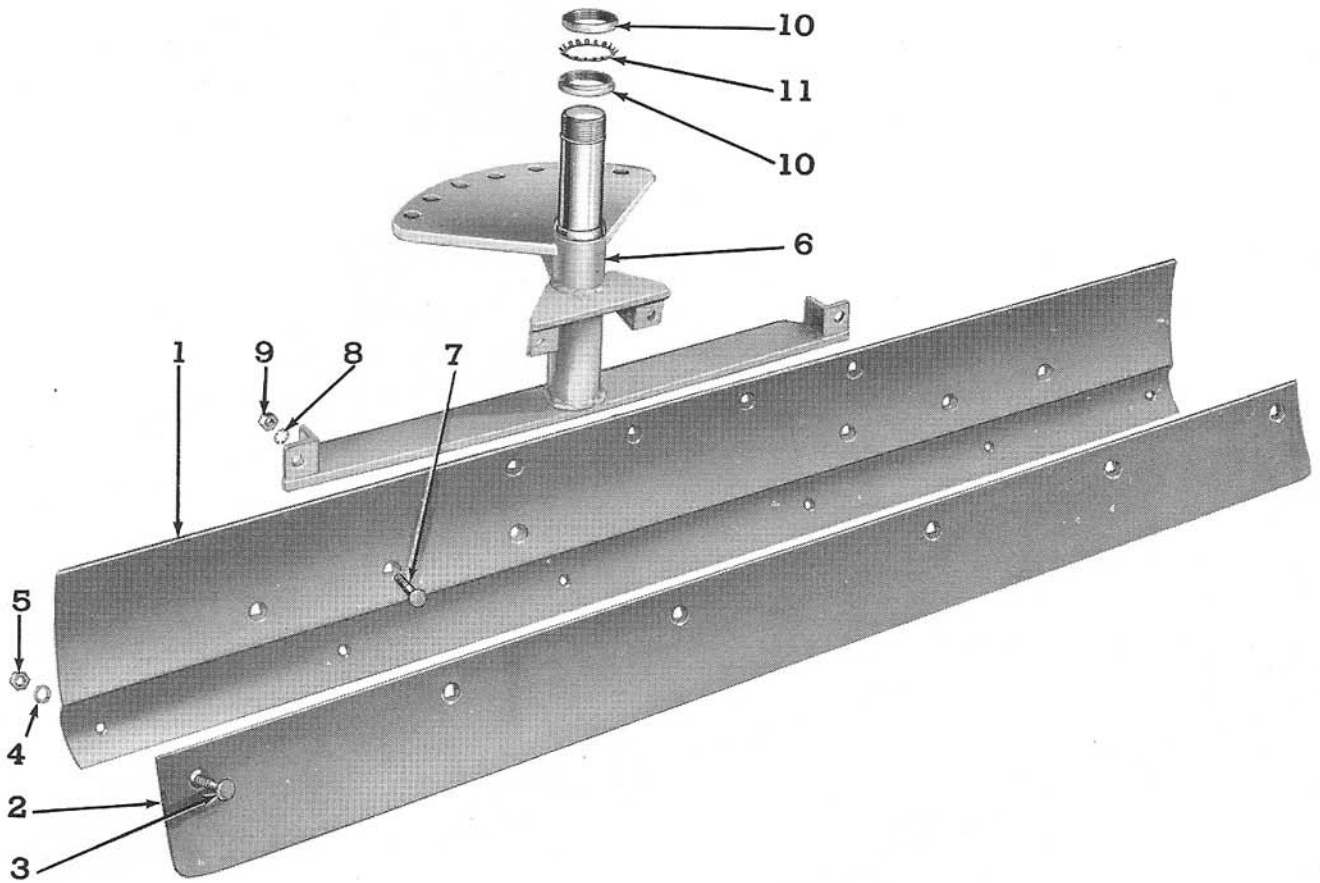


Figure 14 - Blade Assembly

FIG. 14	PART NO.	NAME AND DESCRIPTION	QTY. REQ.
Group 1-3C—BLADE ASSEMBLY			
1	191035	BLADE ASSEMBLY 6 ft. (For Models 19-16 & 19-50)	1
-	191380	BLADE ASSEMBLY 8 ft. (For Models 19-34 & 19-51)	1
Consists of Blade which is not serviced separately plus items listed below:			
2	191037	LIP, Cutting 6 ft.	1
-	191381	LIP, Cutting 8 ft.	1
3	300308	BOLT, 1/2" - 13 x 1-1/2" Flat Hd. Sq. Nk. } Lip to	6
4		LOCKWASHER, 1/2" } Blade	8
5		NUT, 1/2" - 13	
6	194753	MOUNTING and PIVOT SHAFT (Welded Assembly) 7 Hole Adjustment	1
-	194755	MOUNTING and PIVOT SHAFT (Welded Assembly) 9 Hole Adjustment	1
7	300308	BOLT, 1/2" - 13 x 1-1/2" Flat Hd. Sq. Nk. } Moldboard to Mounting	4
8		LOCKWASHER, 1/2"	
9		NUT, 1/2" - 13 Hex.	
10	191055	NUT, Lock, 2-9/16" - 18 (Special)	2
11	191054	LOCKWASHER, 2-9/16", External Tooth (Special)	1

Blades

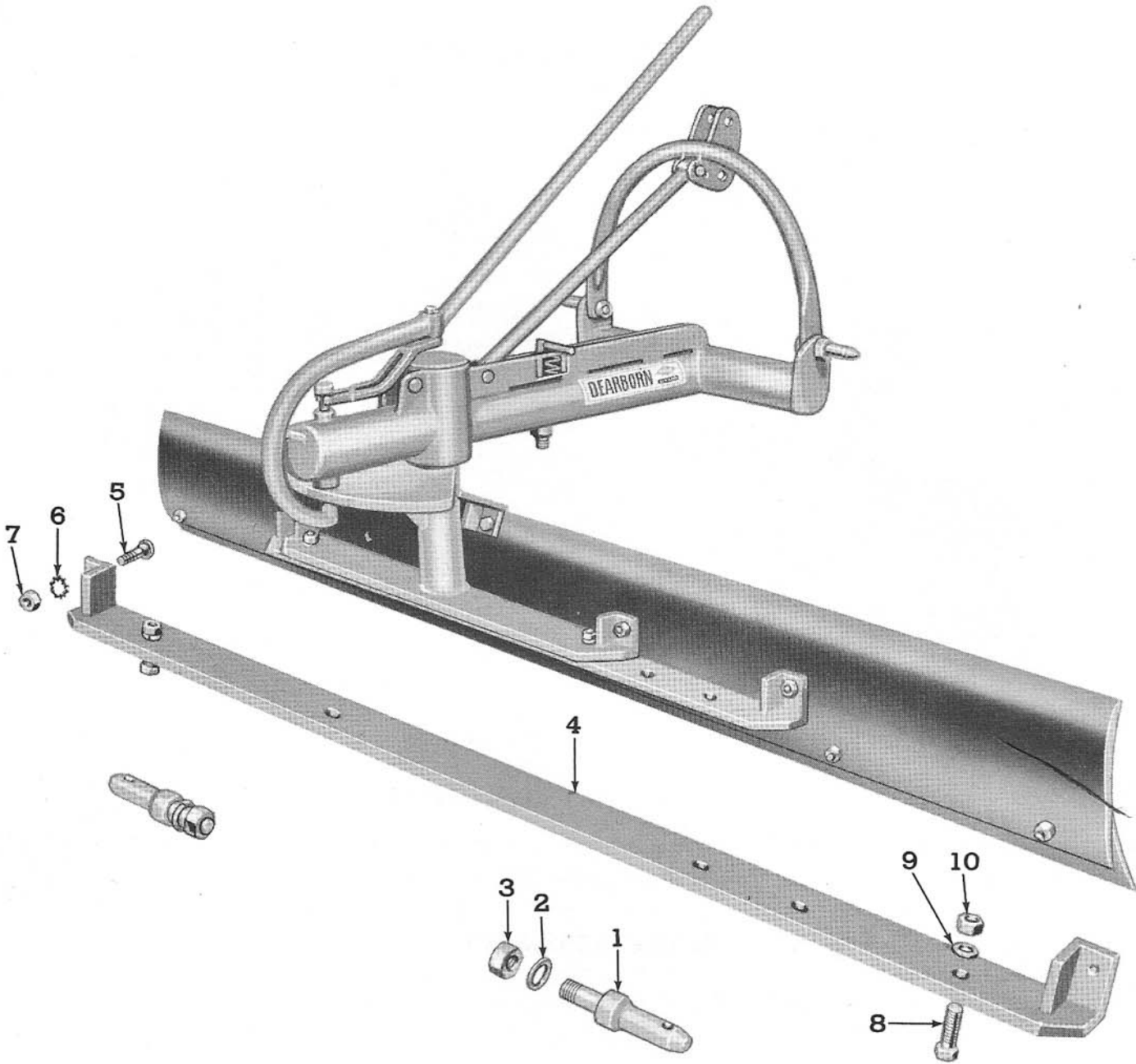


Figure 15 - Danuser FMD Blade Adapter Kit

FIG. 15	PART NO.	NAME AND DESCRIPTION	QTY. REQ.
		Group 1-3D—DANUSER FMD BLADE ADAPTER KIT, No. 221472 (USED W/DANUSER BLADE - ALL MODELS)	
1	221455	PIN, Link	2
2		LOCKWASHER, 7/8"	} Link Pin.
3		NUT, 7/8" - 14 Hex	
4	221459	SUPPORT, Auxiliary (Welded Assembly)	
5		BOLT, 1/2" - 13 x 1-1/2" Plow	} Support to Blade
6		LOCKWASHER, 1/2"	
7		NUT, 1/2" - 13 Hex	
8		BOLT, 5/8" - 18 x 2" Hex Hd	} Support to Mounting and Pivot Shaft.
9		LOCKWASHER, 5/8"	
10		NUT, 5/8" - 18 Hex	

Blades

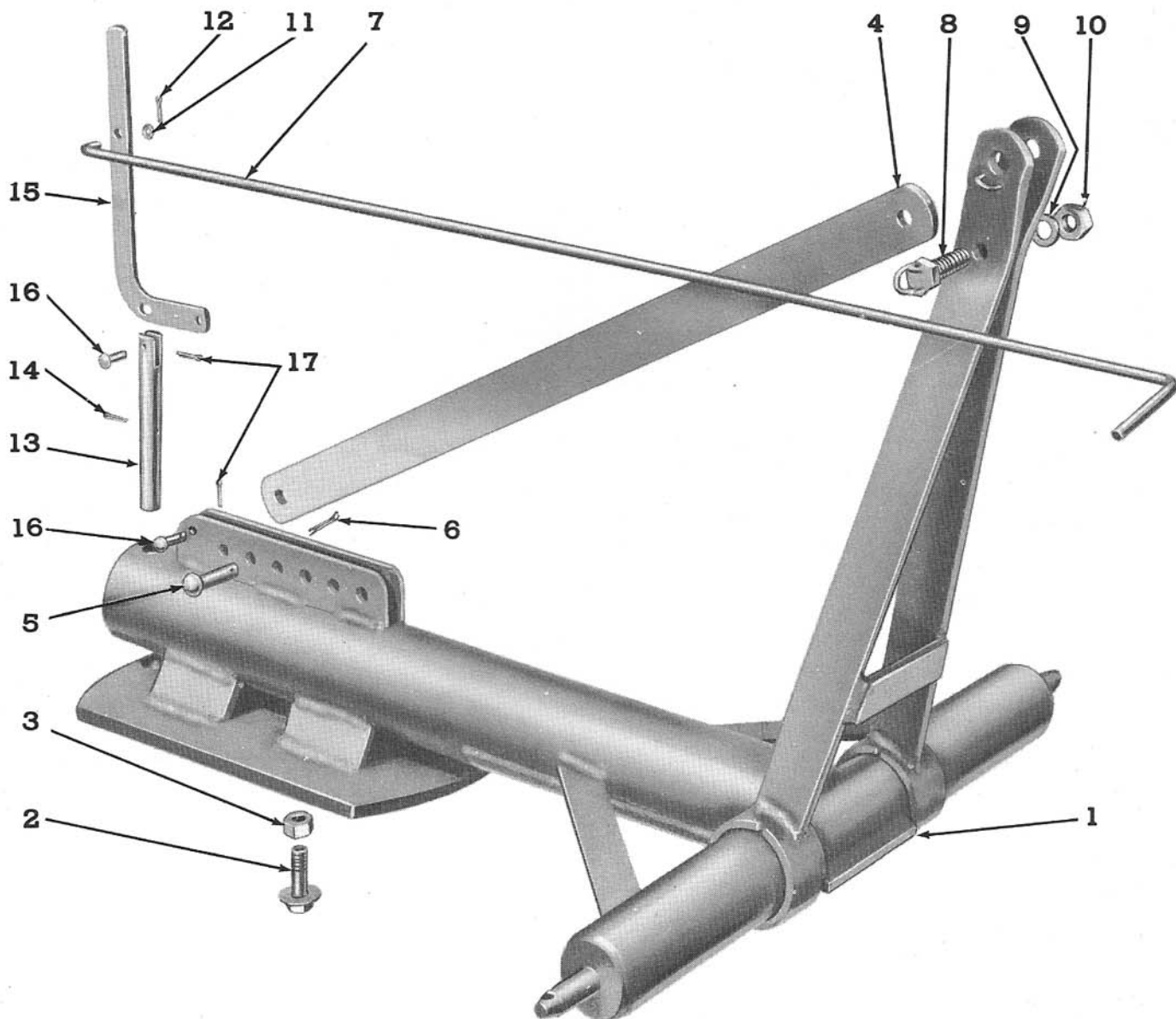


Figure 16 - Frame Assembly

FIG. 16	PART NO.	NAME AND DESCRIPTION	QTY. REQ.
		Group 1-4 - UTILITY BLADE & ATTACHMENTS, Model 19-5	
		Group 1-4A - FRAME ASSEMBLY	
1	190179	FRAME (Welded Assembly)	1
2	190178	BOLT, 5/8" - 18 x 2" Hex. Hd., with Washer Welded (Blade Pivot)	
3		NUT, 5/8" - 18 Hex. Blade to Frame. .	1
4	190174	BAR, Pitch Regulating	1
5	191741	RIVET, 5/8" x 1-3/4" Rd. Hd. Drld., Pitch Bar	
6		COTTER PIN, 3/16" x 1-1/2" } Bar to Frame	1
7	190173	ROD, Pull.	1

Blades

FIG. 16	PART NO.	NAME AND DESCRIPTION	QTY. REQ.
Group 1-4A - FRAME ASSEMBLY (Cont'd)			
8	190176	BOLT, 5/8" - 18 x 2-1/4" with Clip Welded (Pull Rod Guide)	} Pull Rod to "A" Frame
9		LOCKWASHER, 5/8"	
10		NUT, 5/8" - 18 Hex.	
11		WASHER, 3/8" Plain	} Pull Rod to Lever
12		COTTER PIN, 1/8" x 1"	
13	190172	PIN, Lock	1
14		COTTER PIN, 3/16" x 1-1/2" - Lock Pin	1
15	190171	LEVER, Lift, Lock Pin	1
16		PIN, 3/8" x 1-5/16" Clevis, Lift Lever	} Lever to Pin to Frame
17		COTTER PIN, 1/8" x 1"	

Blades

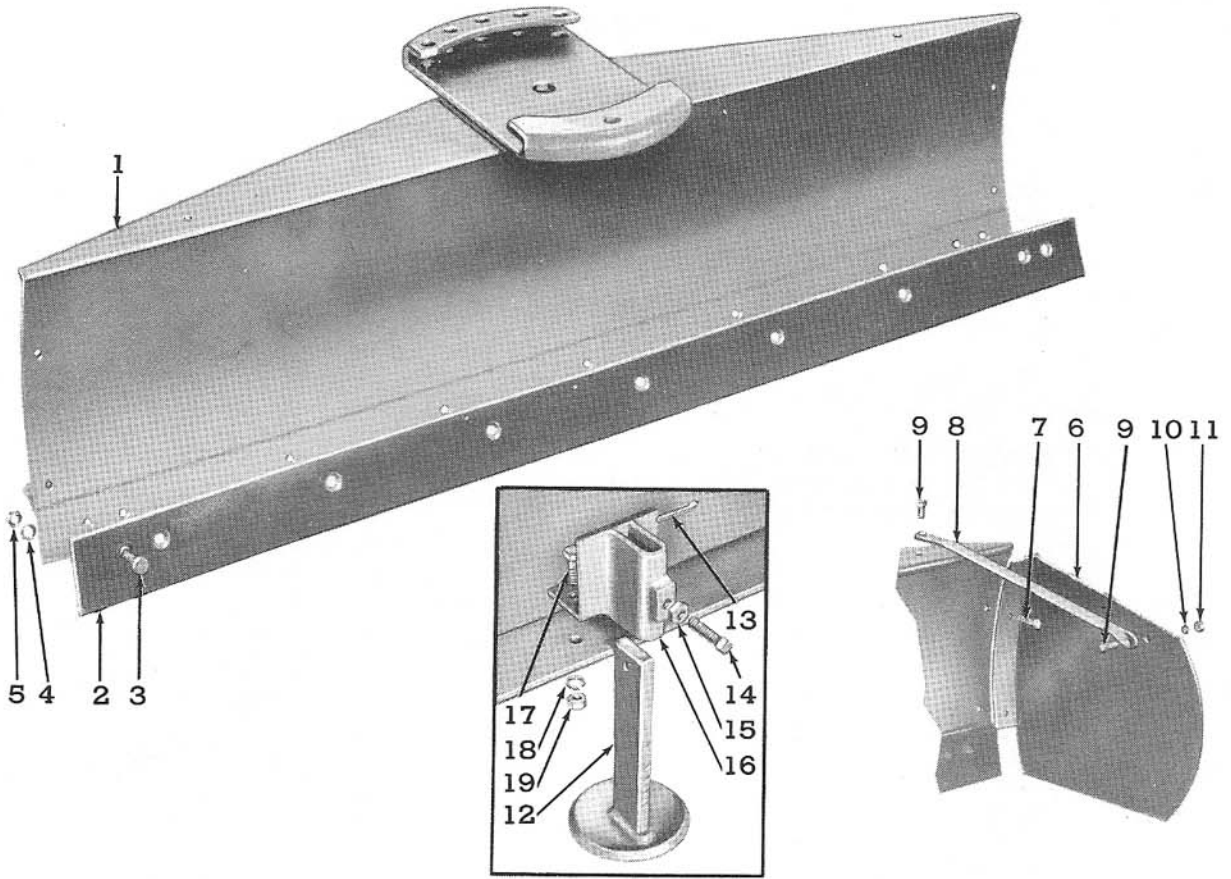


Figure 17 - Blade Assembly with Side Plates and Skid Shoes

FIG. 17	PART NO.	NAME AND DESCRIPTION	QTY. REQ.
Group 1-4B—BLADE ASSEMBLY (Model 19-5)			
1	190197	BLADE (Welded Assembly)	1
2	190200	LIP, Cutting	1
3	300308	BOLT, 1/2" - 13 x 1-1/2" Flat Hd. Sq. Nk	} Edge to Blade
4		LOCKWASHER, 1/2"	
5		NUT, 1/2" - 13 Hex.	
-	300002	NOTE: The cutting edge and blade which had Round Holes instead of Square Holes uses the following bolt: BOLT, 1/2" - 13 x 1-1/2" Plow	9
(EXTRA EQUIPMENT)			
6	190211	PLATE and BRACE ASSEMBLY, Left	} Sold in Pairs
-	190212	PLATE and BRACE ASSEMBLY, Right	
7		Consists of Plate plus:	} Side Plates to Blade
-		BOLT, 3/8" - 24 x 1-1/4" Hex. Hd.	
-		LOCKWASHER, 3/8"	
-		NUT, 3/8" - 24 Hex.	4
8		BRACE, Side Plate, Left	1
9		BRACE, Side Plate, Right	1
10		BOLT, 3/8" - 24 x 1" Hex. Hd.	} Brace to Plate to Blade
11		LOCKWASHER, 3/8"	
--	190033	NUT, 3/8" - 24 Hex.	
12	190034	SHOE and BRACKET ASSEMBLY	2
13		Consists of:	} Skid Shoe
14		SHOE, Skid	
15		COTTER PIN, 1/4" x 1"	
16	190062	SET SCREW, 1/2" - 13 x 1-1/2" Sq. Hd. Cup Pt.	2
17		NUT, 1/2" - 13 Hex. Jam	} Bracket to Blade
18		BRACKET, Mounting	
19		BOLT, 1/2" - 20 x 1-1/2" Hex. Hd.	
		LOCKWASHER, 1/2"	4
		NUT, 1/2" - 20 Hex.	

Blades

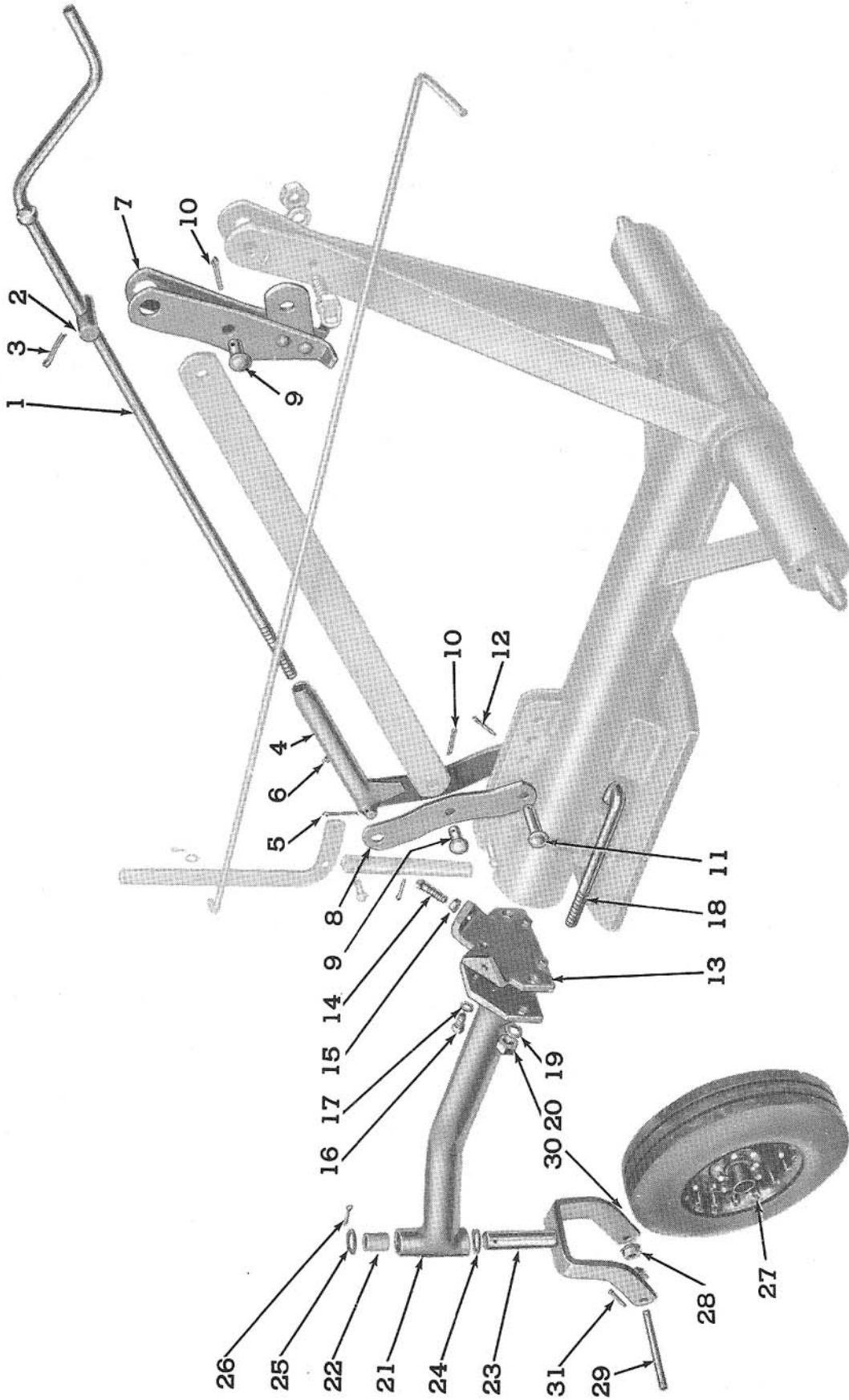


Figure 18 - Gauge Wheel Attachment - Model 19-19

Blades

FIG. 18	PART NO.	NAME AND DESCRIPTION	QTY. REQ.
Group 1-4C - GAUGE WHEEL ATTACHMENT (Model 19-19) (EXTRA EQUIPMENT)			
1	191239	CRANK (Welded Assembly)	1
2	191231	BLOCK, Thrust	1
3		COTTER PIN, 3/16" x 1-1/2" - Block to Bracket	2
4	191233	CRANK NUT and SLEEVE, Depth Adjusting (Welded Assembly)	1
5		COTTER PIN, 3/16" x 1-1/2" - Sleeve to Crank Bracket	1
6		FITTING, Lube, 1/8" x 3/4" - Straight	1
7	191227	BRACKET, Crank Thrust (Riveted Assembly)	1
8	191241	BRACKET, Crank	2
9	191741	PIN, 5/8" x 1-3/4" Rd. Hd. Drld. } Pitch Bar to Brackets	2
10		COTTER PIN, 3/16" x 1-1/2" }	
11	300318	PIN, 5/8" x 2-1/4" Button Hd. } Crank Brackets to Adjusting Rack	1
12		COTTER PIN, 3/16" x 1-1/2" }	
13	191222	BRACKET, Adapter	1
14		SET SCREW, 1/2" - 13 x 1-1/2" Sq. Hd. } Adapter Bracket	2
15		NUT, 1/2" - 13 Hex. Jam	
16		BOLT, 1/2" - 20 x 1-1/4" Hex. Hd. } Bracket to Support	1
17		LOCKWASHER, 1/2"	
18	191225	BOLT, Hook, 5/8" - 18 x 9-3/4"	2
19		LOCKWASHER, 5/8" } Hook Bolt to Support	2
20		NUT, 5/8" - 18 Hex. }	
21	191211	SUPPORT, Gauge Wheel (Welded Assembly) Consists of Support which is not serviced separately plus the Bearings listed below:	1
22	191216	BEARING, Oilite, Spindle	2
--		FITTING, Lube, 1/8" x 3/4" - Straight	1
23	191218	FORK, Gauge Wheel (Welded Assembly)	1
24	191320	WASHER, Thrust, Spindle (Brass)	1
25	191221	WASHER, Spindle (Steel)	1
26		COTTER PIN, 1/4" x 2" - Fork Spindle	1
27	191244	WHEEL, Gauge 4:00 x 8, Less Tire	1
28	191247	BEARING, Oilite, Gauge Wheel	2
29	191248	AXLE, Gauge Wheel	1
30	191249	RETAINER, Gauge Wheel Axle	1
31		COTTER PIN, 3/16" x 1-1/2" - Gauge Wheel Axle	1

Frames

Group 2—UNIVERSAL FRAME, DOZER FRAME & ATTACHMENT

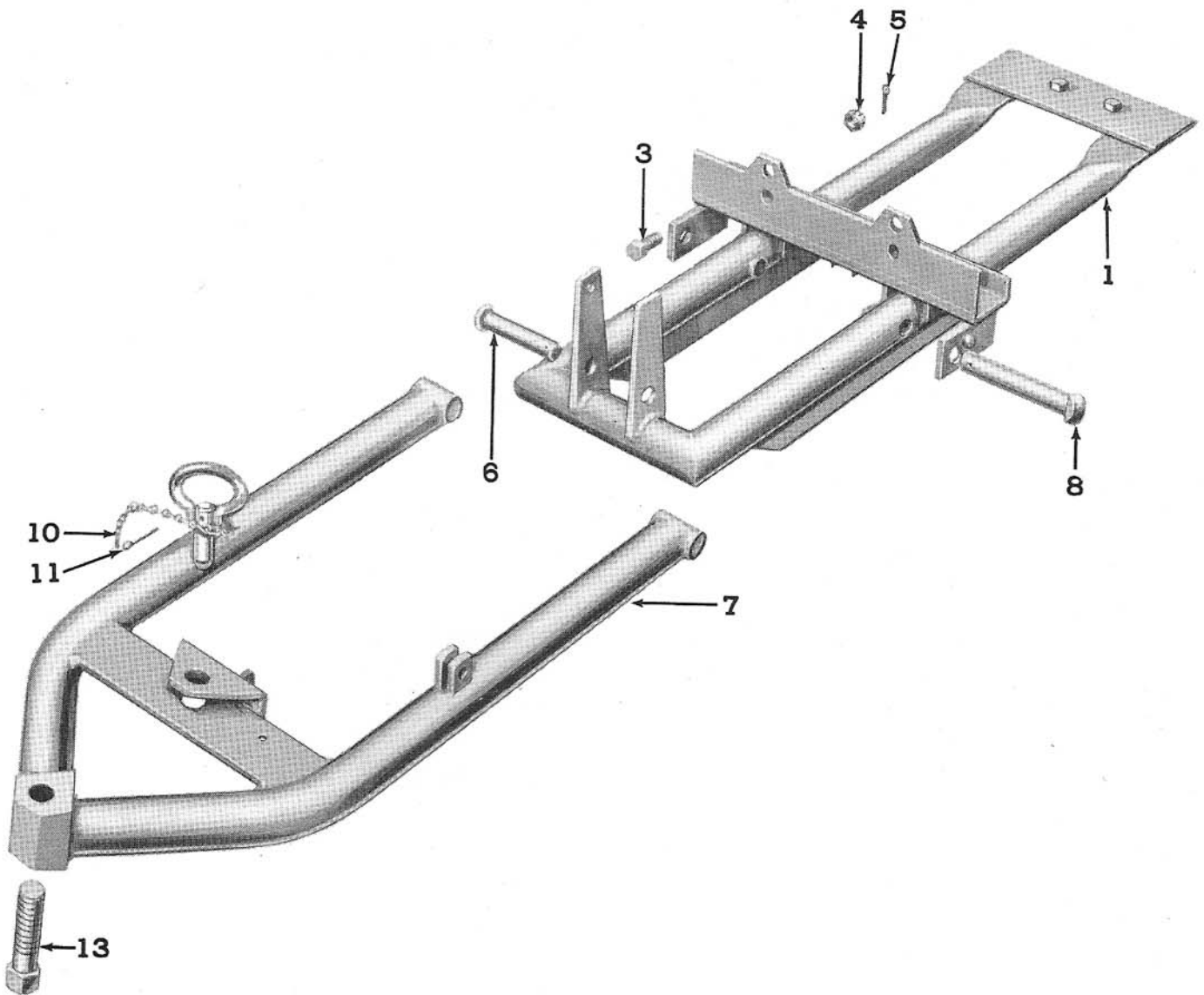


Figure 19 - Ford Dozer Frame, Model 19-80

Frames

FIG. 19	PART NO.	NAME AND DESCRIPTION	QTY. REQ.
		Group 2-1 - FORD DOZER FRAME, Model 19-80	
1		FRAME, Rear (Not Serviced)	1
3	194662	BOLT, 3/4" - 16 x 1-3/4" Hex. Hd., Drilled	} Frame to Tractor
4		NUT, 3/4" - 16 Hex.	
5		COTTER PIN, 1/8 x 1-1/2"	
6	194758	PIN, 1 x 4-3/4" Clevis	} Cylinder to Frame
-		COTTER PIN, 1/8 x 1-1/2"	
7	194663	ARM, Lift (Welded Assembly)	1
8	194666	PIN, 1" x 6-5/8" Clevis	} Arm to Frame
-		COTTER PIN, 1/4 x 1-1/2"	
9	195367	PIN, Drop (Welded Assembly)	1
10	190157	CHAIN, Drop	1
11		COTTER PIN, 3/16" x 1-1/2" - Pin and Chain	2
13		BOLT, 1" - 8 x 6" Hex. Hd.	} Blade Attaching
--		LOCKWASHER, 1"	
--		NUT, 1" - 8 Hex.	
--	305224	DECAL "Ford" (1-1/2" x 4-19/32")	1

Frames

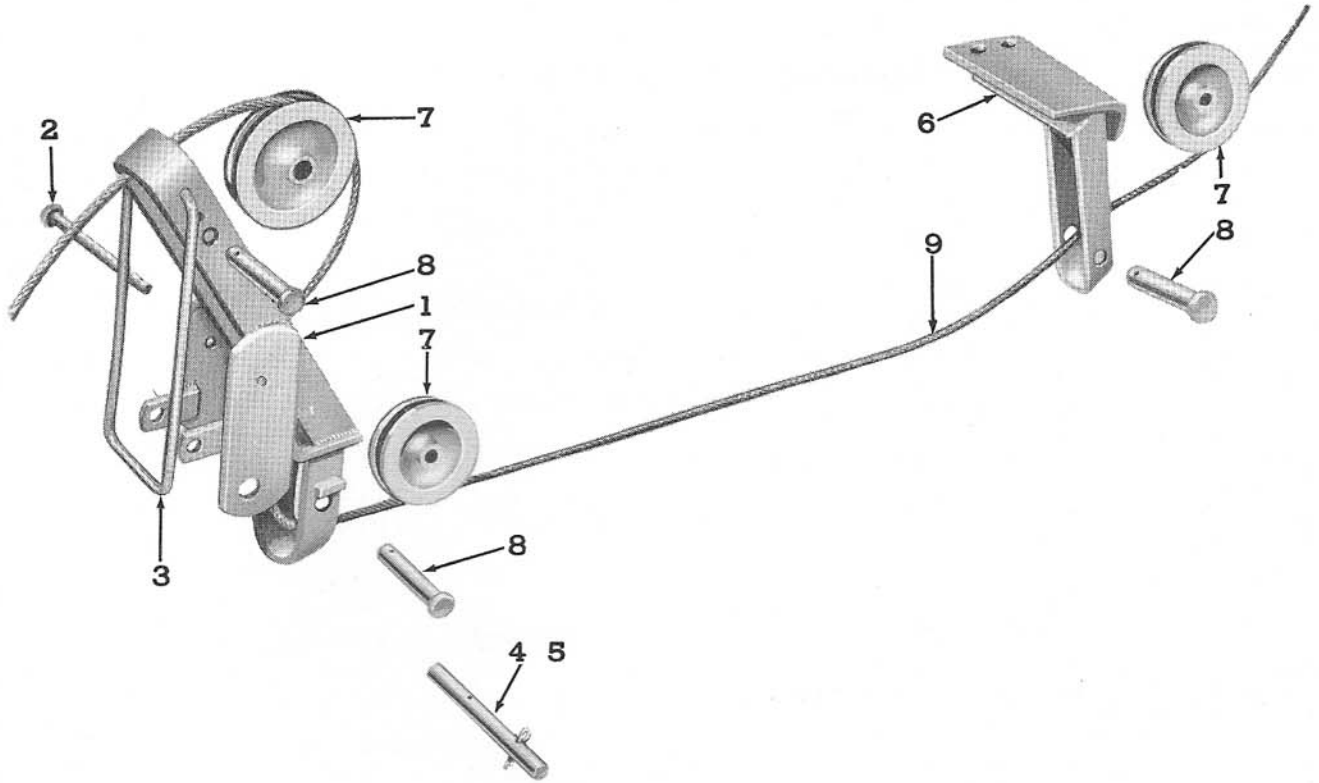


Figure 20 - Hydraulic Cable Control Dozer Attachment

FIG. 20	PART NO.	NAME AND DESCRIPTION	QTY. REQ.
		Group 2-IA - HYDRAULIC CABLE CONTROL DOZER ATTACHMENT, Model 19-92 For Model 19-80 (EXTRA EQUIPMENT)	
1	195089	STRUT, Front Sheave (Welded Assembly)	1
2	194757	PIN, 1/2 x 4-5/8" Clevis } Strut to Dozer Frame	1
-		COTTER PIN, 1/8 x 1" }	1
3	195095	LINK, Blade Transport	1
-		COTTER PIN, 1/8 x 1" - Link	2
4	195096	PIN, Link Retaining	1
5	141661	PIN, 5/64 x 1-1/2" Self Locking	2
6	195097	BRACKET, Rear Sheave (Welded Assembly)	1
7	194772	SHEAVE, Cable	3
8	194737	PIN, 1 x 3-15/16" Clevis } Sheave to Strut and Bracket	3
-		COTTER PIN, 1/8 x 1" }	3
9	194734	CABLE ASSEMBLY	1
-	195101	HOOK ASSEMBLY, Cable	1
-	141661	PIN, 5/64 x 1-1/2" Self Locking - Hook to Cable	1
-	192473	PIN, 5/8 x 3-7/8" Clevis } Cable to Tractor Lift Arm	1
-		COTTER PIN, 3/16 x 1" }	1
-		PIN, 5/8 x 1-13/16" Clevis } Cable to Dozer Lift Arm	1
-		COTTER PIN, 1/8 x 1" }	1
-	195370	TUBE, Cable Adjustment	1
-		NUT, 1/2" - 13 Hex - Tube to Cable	1

Frames

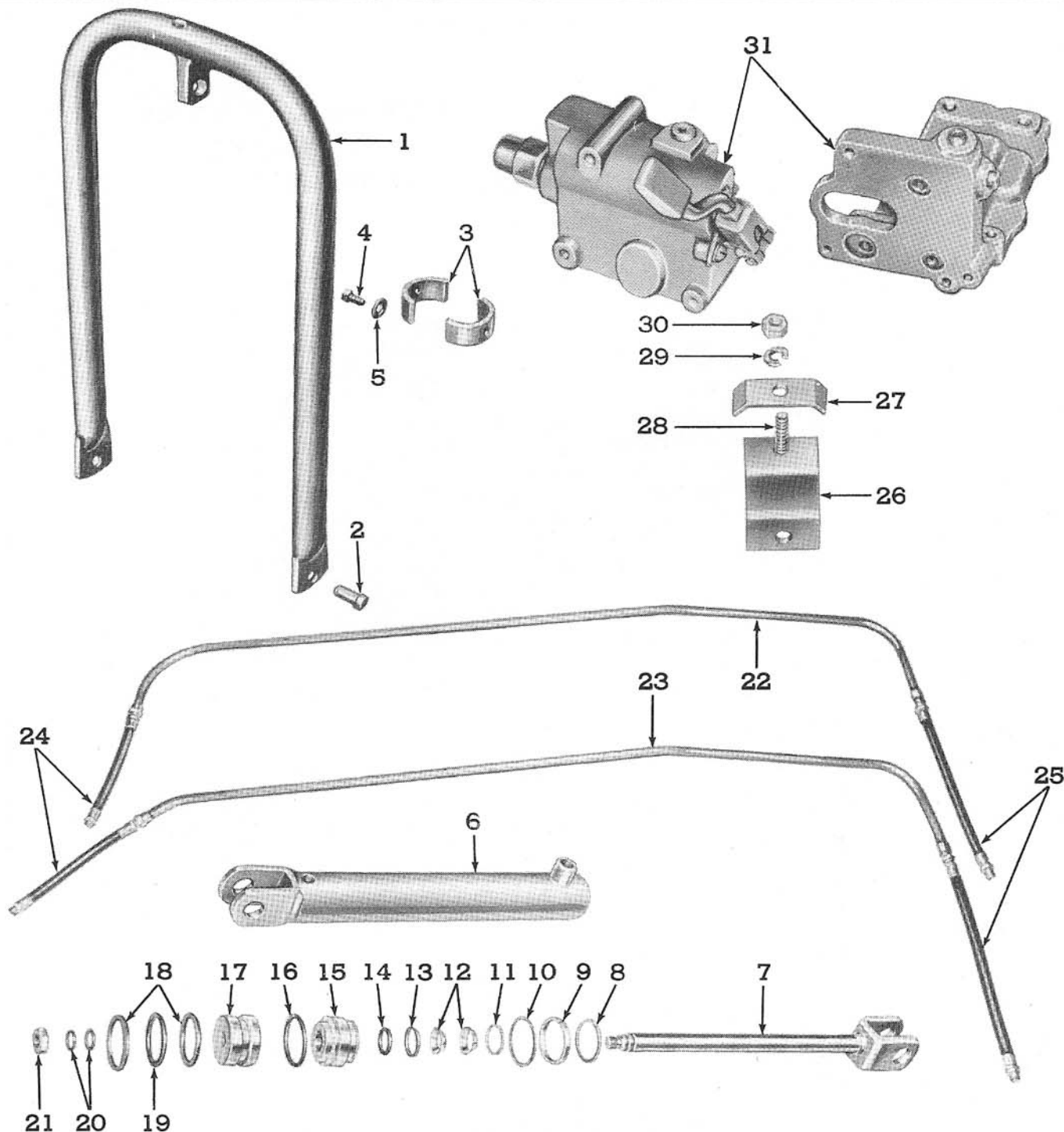


Figure 21 - Hydraulic Cylinder Control Dozer Attachment

FIG. 21	PART NO.	NAME AND DESCRIPTION	QTY. REQ.
-	195375	Group 2-1B—MODEL 19-91 HYDRAULIC CYLINDER CONTROL DOZER ATTACHMENT (USE (EXTRA EQUIPMENT) W/MODEL 19-80) REMOTE CYLINDER ATTACHING KIT	1
1	194766	Consists of: YOKE, Dozer Frame (Welded Assembly)	1
2		PIN, 5/8 x 1-3/8" Clevis } Yoke to Dozer Lift Arm	2
-		COTTER PIN, 1/8 x 1" }	2
3	194764	SPACER, Cylinder	2
4		BOLT, 1/2" - 13 x 7/8" Hex. Hd. } Spacer to Frame	2
5		LOCKWASHER, 1/2" }	

Frames

FIG. 21	PART NO.	NAME AND DESCRIPTION	QTY. REQ.
		Group 2-1B—MODEL 19-91 HYDRAULIC CYLINDER CONTROL DOZER ATTACHMENT FOR USE W/MODEL 19-80	
-	194669	CYLINDER ASSEMBLY, Dozer	1
		Consists of:	
6		HOUSING, Cylinder	1
7		ROD, Piston	1
8		RING, Lock	2
9		SPACER, Piston	1
10		RING, Lock	1
11		RING, Lock	1
12		WIPER, Piston Rod	2
13		WASHER, Rod Back-Up	1
14		“O” RING	1
15		GLAND, Cylinder	1
16		“O” RING	1
17		PISTON, Cylinder	1
18		WASHER, Piston Back-Up	2
19		“O” RING	1
20		“O” RING	1
21		NUT, 1/2" - 13 Hex	1
--	194759	PIN, 1 x 2-3/8" Clevis } Cylinder to Yoke	1
--		COTTER PIN, 3/16 x 2" }	
--	194763	SPACER, Dozer Cylinder	1
22	194677	PIPE, Hydraulic	1
23	194678	PIPE, Hydraulic	1
24	195365	HOSE, 3/8" x 12" Coupling	2
25	192114	HOSE, 3/8" x 16-3/4" Coupling	2
--	192115	UNION, Adapter	2
26	195363	BRACKET, Pipe	1
27	195211	CLAMP, Hydraulic Line	2
--	195212	J-BOLT, 3/8" - 16	1
28		BOLT, 3/8" - 16 x 1-1/2 Carr. } Clamp to Frame	1
29		LOCKWASHER, 3/8" }	2
30		NUT, 3/8" - 16 Hex }	2
		The valves listed below are needed to complete installation of the above Kit in which they are not included.	
31	231025	VALVE and MANIFOLD KIT, used w/1955 Tractors	1
--	230952	VALVE, Remote Control, used w/NAA Tractor	1

Frames

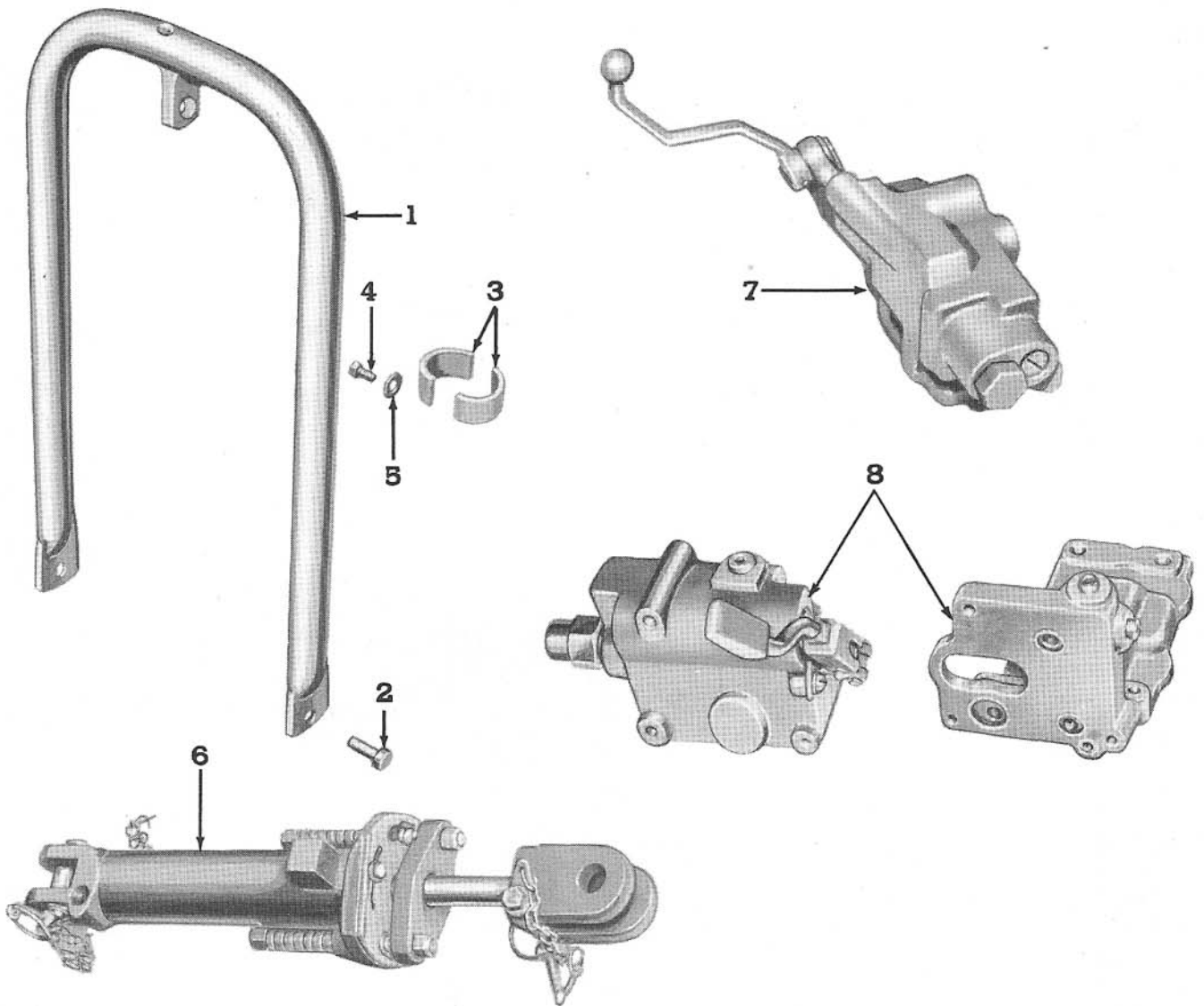


Figure 22 - Remote Control Cylinder and Attaching Parts

FIG. 22	PART NO.	NAME AND DESCRIPTION	QTY. REQ.
		Group 2-1C—REMOTE CONTROL CYLINDER AND ATTACHING PARTS USED W/MODEL 19-80	
-	195375	REMOTE CYLINDER ATTACHING KIT	1
		Consists of:	
1	194766	YOKE, Dozer Frame (Welded Assembly)	2
2		PIN, 5/8 x 1-3/8" Clevis } Yoke to Dozer Lift Arm	2
-		COTTER PIN, 1/8 x 1" }	
3	194764	SPACER, Cylinder	2
4		BOLT, 1/2" - 13 x 7/8" Hex Hd. } Spacer to Frame	2
5		LOCKWASHER, 1/2" }	
6	230560	CYLINDER, Remote Control	1
-		ATTACHING (Hose) KIT	1
-		PIPE and Hoses shown on Page 36 can also be used.	AR
7	230952	REMOTE CONTROL VALVE KIT, Used w/NAA Tractor	AR
8	231025	VALVE and MANIFOLD KIT, Used w/1955 Tractors	AR
-	190607	BUSHING, Reducing, 1/2 to 3/8" - Used w/3/8" Hose	AR

Frames

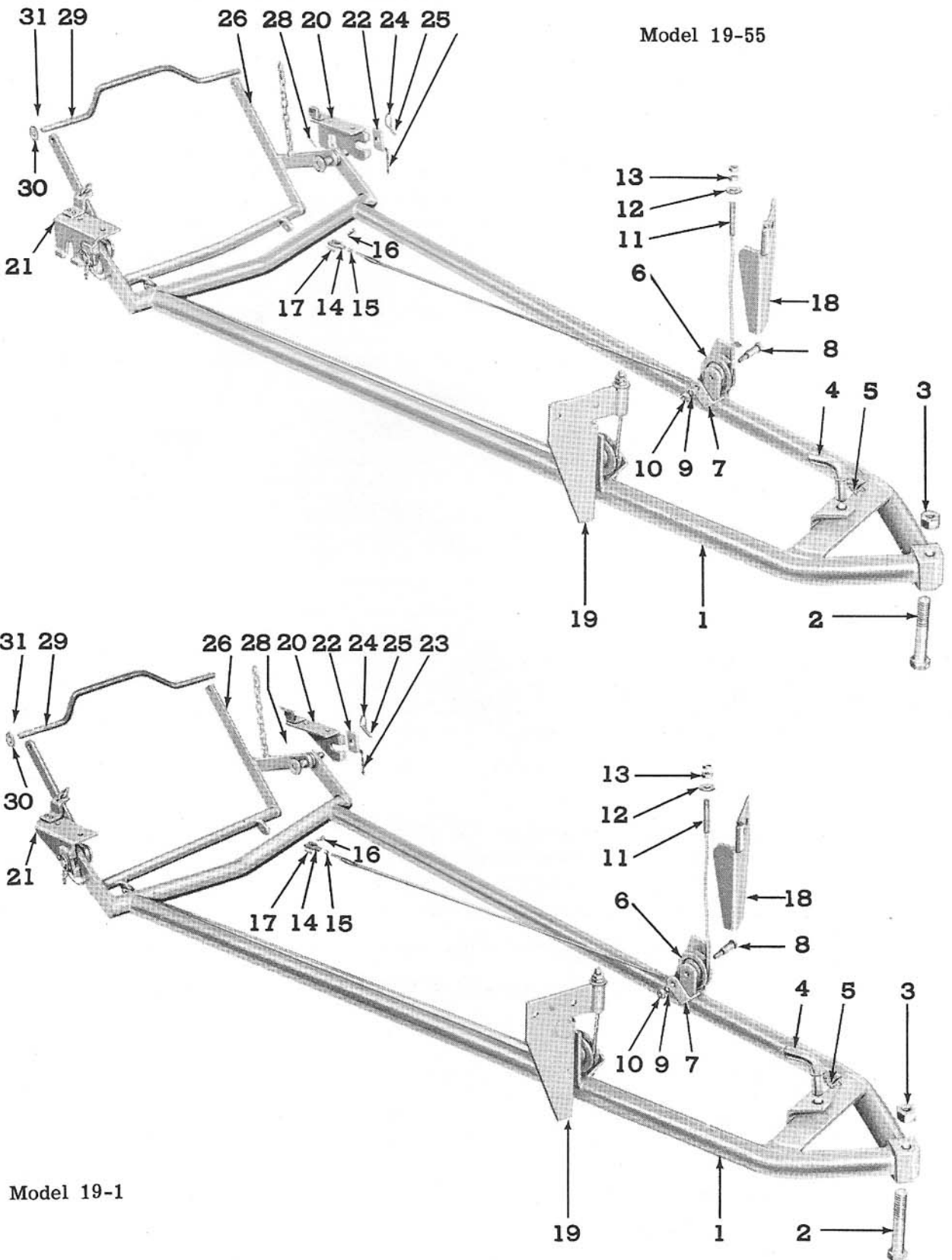


Figure 23 - Universal Frame Assemblies

Frames

FIG. 23	PART NO.	NAME AND DESCRIPTION	QTY. REQ.	
			19-1	19-55
Group 2-2—UNIVERSAL FRAMES, Models 19-1, 55				
1	194030*	FRAME (Welded Assembly)	1	1
2	301030	BOLT, 1-8 x 6" Hex. Hd. } Implement to Frame	1	1
3		LOCKWASHER, 1" }		
3		NUT, 1-8 Hex. }		
4	190155	PIN ASSEMBLY, Drop	1	1
Consists of Pin which is not serviced separately plus items listed below:				
5	190157	CHAIN, Drop Pin	1	1
-		COTTER PIN, 3/16" x 1-1/2" - Pin and Chain	2	2
6	190124	PULLEY, Cable	2	2
7	190122	GUARD, Pulley	2	2
8	190123	SHAFT, Pulley	2	2
9		LOCKWASHER, 1/2" } Pulley Shaft	2	2
10		NUT, 1/2" - 20 Hex. }		
11	194024	CABLE ASSEMBLY	-	2
11	190151	CABLE ASSEMBLY	2	-
Consists of the Cable and Studs which are not serviced separately.				
12		WASHER, 5/8" Flat } Cable to Front Bracket	2	2
13		NUT, 5/8" - 18 Hex. Jam }	4	4
14		YOKE, End, 3/8" - 24	2	2
15		NUT, 3/8" - 24 Hex. - End Yoke	2	2
16	300095	PIN, 3/8" x 1-1/4" Rd. Hd. Drld. } Yoke to Lift Quadrant	2	2
17		COTTER PIN, 1/8" x 1" }		
18	190121	BRACKET, Axle, Front Left	1	1
19	190162	BRACKET, Axle, Front Right	1	1
20	194011	BRACKET, Axle, Rear Left (Riveted Assembly)	1	1
21	194035	BRACKET, Axle, Rear Right (Riveted Assembly)	1	1
--	190158	RETAINER ASSEMBLY, Frame	2	2
Consists of:				
22	190159	BLOCK, Retainer	2	2
23	190160	CHAIN, Retainer Block	2	2
--		COTTER PIN, 3/16" x 1" - Chain	2	2
24	2N-575	RING, Snap	2	2
25	2N-574	PIN, Linch	2	2
26	194283	QUADRANT, Lift (Welded Assembly)	1	1
27		WASHER, 1" Flat } Quadrant to Frame	2	2
28		COTTER PIN, 3/16" x 1-1/2" }		
29	190126	BAR, Cross	1	1
30		WASHER, 7/8" Flat } Cross Bar to Quadrant	2	2
31		COTTER PIN, 3/16" x 1-1/2" }		
--	190127	HOLDER, Cross Bar	1	1
--		BOLT, 1/4" - 28 x 1" Carr. } Holder to Tractor Lift Link	1	1
--		NUT, 1/4" - 28 Hex. }		
* When replacing the Model 19-1 Frame w/new frame 194030 it is also necessary to furnish two new axle brackets (194011, 194035)				

Frames

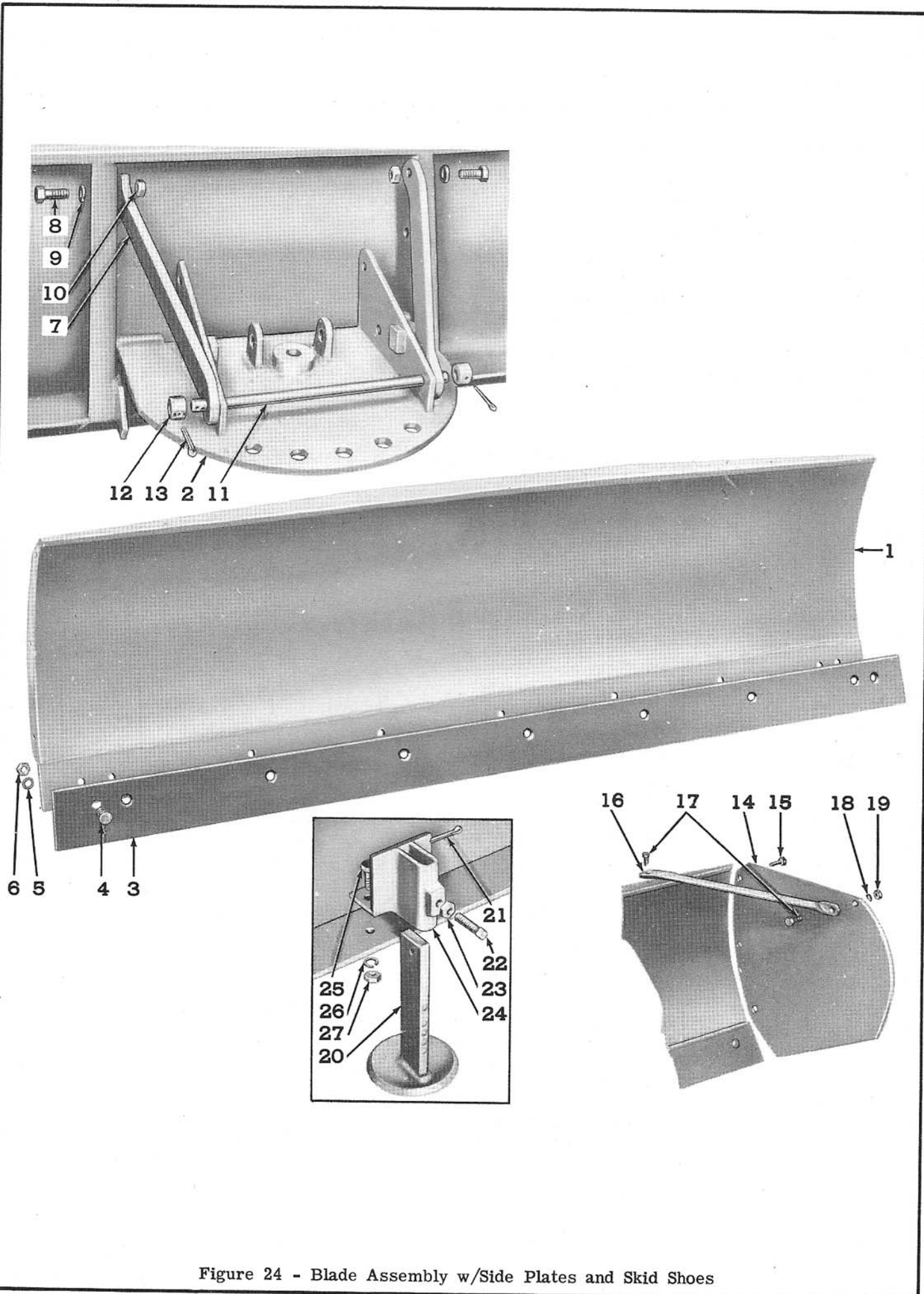


Figure 24 - Blade Assembly w/Side Plates and Skid Shoes

Frames

FIG. 24	PART NO.	NAME AND DESCRIPTION	QTY. REQ.
		Group 2-3—ANGLE DOZER W/SIDE PLATES & SKID SHOES, Model 19-2	
1	190047	BLADE and TURNTABLE (Welded Assembly) Consists of the Welded Blade which is not serviced separately plus Turntable listed below:	1
2	190021	TURNTABLE (Welded Assembly)	1
3	190200	LIP, Cutting	1
4	300002	BOLT, 1/2" - 13 x 1-1/2" Plow	} Lip to Blade
5		LOCKWASHER, 1/2"	
6		NUT, 1/2" - 13 Hex.	
7	190009	BAR, Toggle, Upper, Drld., 5/8" - 18	2
8		BOLT, 5/8" - 18 x 1-1/2" Hex. Hd.	} Bar to Blade
9		WASHER, 5/8" Flat	
10		NUT, 5/8" - 18 Hex.	
11	190005	ROD, Pivot, Toggle Bar	1
12	190006	BUSHING, Retainer	2
13		COTTER PIN, 1/4" x 2" - Bushing to Rod	2
		NOTE: The Release Spring Attachment shown on Figure 25 is adaptable to the Dearborn Angle Dozer, Model 19-2.	
14	190055	PLATE and BRACE ASSEMBLY, Left or Right Consists of Plate which is not serviced separately plus:	2
15		BOLT, 3/8" - 24 x 1-1/2" Hex. Hd.	} Side Plates to Blade
--		LOCKWASHER, 3/8"	
--		NUT, 3/8" - 24 Hex.	
16	190057	BRACE, Side Plate	2
17		BOLT, 3/8" - 24 x 1" Hex. Hd.	} Brace to Plate and Blade
18		LOCKWASHER, 3/8"	
19		NUT, 3/8" - 24 Hex.	
--	190033	SHOE and BRACKET ASSEMBLY	2
		Consists of:	
20	190034	SHOE, Skid	2
21		COTTER PIN, 1/4" x 1"	} Skid Shoe
22		SET SCREW, 1/2" - 13 x 1-1/2" Sq. Hd. Cup Pt.	
23		NUT, 1/2" - 13 Hex. Jam	
24	190062	BRACKET, Mounting	2
25		BOLT, 1/2" - 20 x 1-1/2" Hex. Hd.	} Bracket to Blade
26		LOCKWASHER, 1/2"	
27		NUT, 1/2" - 20 Hex.	

Frames

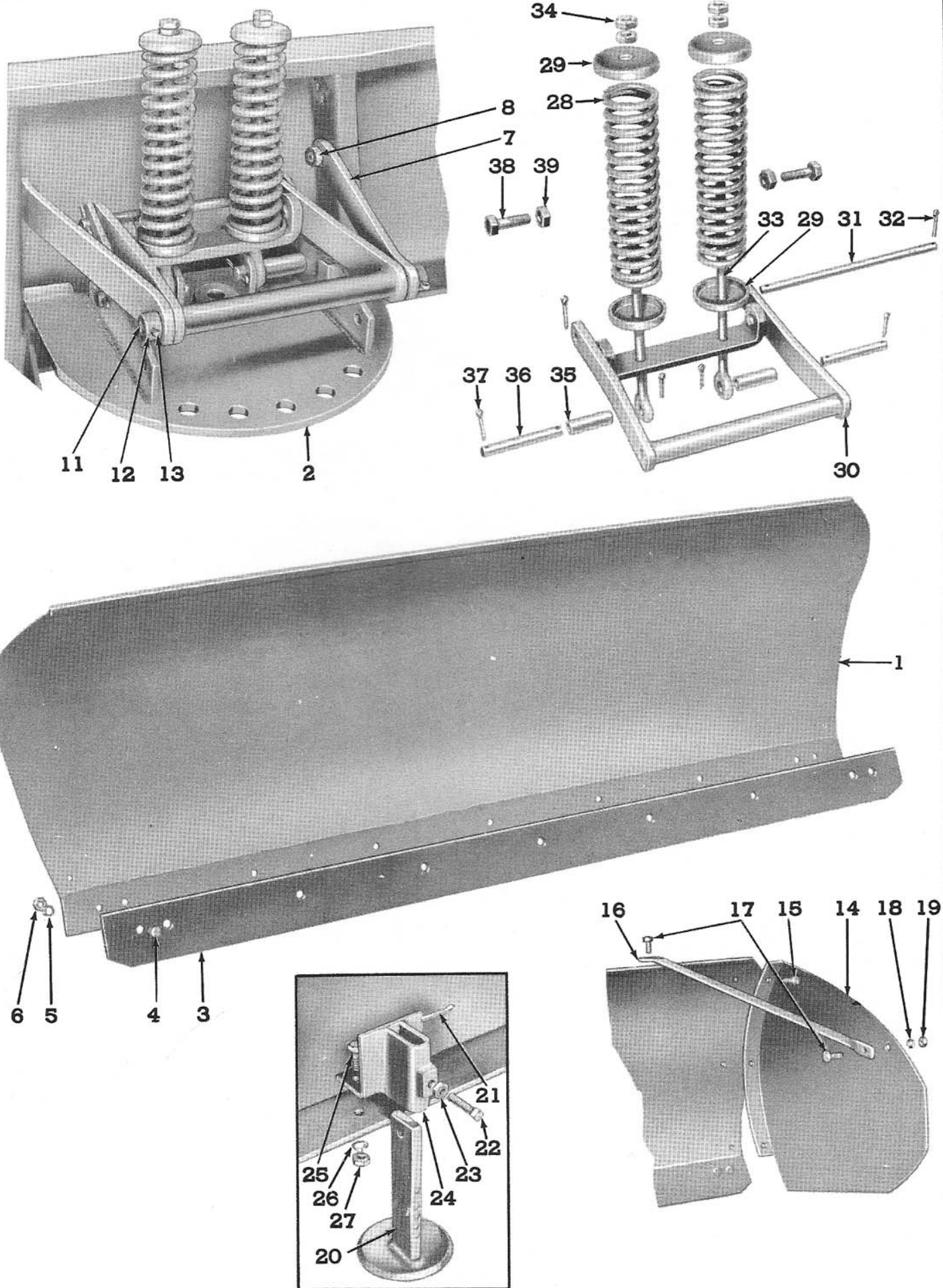


Figure 25 - Blade, Release Spring, Plate

Frames

FIG. 25	PART NO.	NAME AND DESCRIPTION	QTY. REQ.
Group 2-4—BLADE SNOW PLOW, w/Side Plates & Skid Shoes			
1	190010	BLADE and TURNTABLE (Welded Assembly)	1
		Consists of Welded Blade plus:	
2	190200	TURNTABLE (Welded Assembly)	1
3	190013	LIP, Cutting	1
4	300308	BOLT, 1/2" - 13 x 1-1/2" Plow	} Lip to Blade
5		LOCKWASHER, 1/2"	
6		NUT, 1/2" - 13 Hex.	
7	190009	BAR, Toggle, Upper, Drld., 5/8" - 18	2
8		BOLT, 5/8" - 18 x 1-1/2" Hex. Hd.	} Bar to Blade
--		WASHER, 5/8" Flat	
--		NUT, 5/8" - 18 Hex.	
11	190005	ROD, Pivot, Toggle Bar	1
12	190006	BUSHING, Retainer	2
13		COTTER PIN, 1/4" x 2" - Bushing to Rod	2
--	190042	PLATE and BRACE ASSEMBLY, Left	} Sold in Pairs
--	190059	PLATE and BRACE ASSEMBLY, Right	
		Consists of:	
14	190044	PLATE, Side, Left	1
--	190058	PLATE, Side, Right	1
15		BOLT, 3/8" - 24 x 1-1/4" Hex. Hd.	} Side Plates to Blade
--		LOCKWASHER, 3/8"	
--		NUT, 3/8" - 24 Hex.	
16	190043	BRACE, Side Plate	2
17		BOLT, 3/8" - 24 x 1" Hex. Hd.	} Brace to Plate and Blade
18		LOCKWASHER, 3/8"	
19		NUT, 3/8" - 24 Hex.	
--	190033	SHOE and BRACKET ASSEMBLY	2
		Consists of:	
20	190034	SHOE, Skid	2
21		COTTER PIN, 1/4" x 1"	} Skid Shoe
22		SET SCREW, 1/2" - 13 x 1-1/2" Sq. Hd. Cup Pt.	
23		NUT, 1/2" - 13 Hex. Jam	
24	190062	BRACKET, Mounting	2
25		BOLT, 1/2" - 20 x 1-1/2" Hex. Hd.	} Bracket to Blade
26		LOCKWASHER, 1/2"	
27		NUT, 1/2" - 20 Hex.	
RELEASE SPRING ATTACHMENT			
--	190166	KIT, Release Spring	1
		Consists of:	
28	190001	SPRING, Release	2
29	190002	CAP, Spring	4
30	190028	RELEASE, Spring (Welded Assembly)	1
31	190003	ROD, Pivot, Release	1
32		COTTER PIN, 1/4" x 1-1/2" - Pivot Rod	2
33	190004	EYE BOLT, Release Spring, 5/8" -18	2
34		NUT, 5/8" - 18 Hex. Jam.	4
35	190008	SPACER, Eye Bolt	2
36	190007	ROD, Anchor, Eye Bolt	2
37		COTTER PIN, 1/4" x 1-1/2" - Anchor Rod	4
38		BOLT, 5/8" - 18 x 2" Hex. Hd.	} Toggle Bar to Blade
39		NUT, 5/8" - 18 Hex.	
<p>NOTE: The Release Spring Attachment is standard equipment on the Dearborn Blade Snow Plow, Model 19-3 only, and is optional equipment on the Dearborn Angle Dozer, Model 19-2.</p>			

Frames

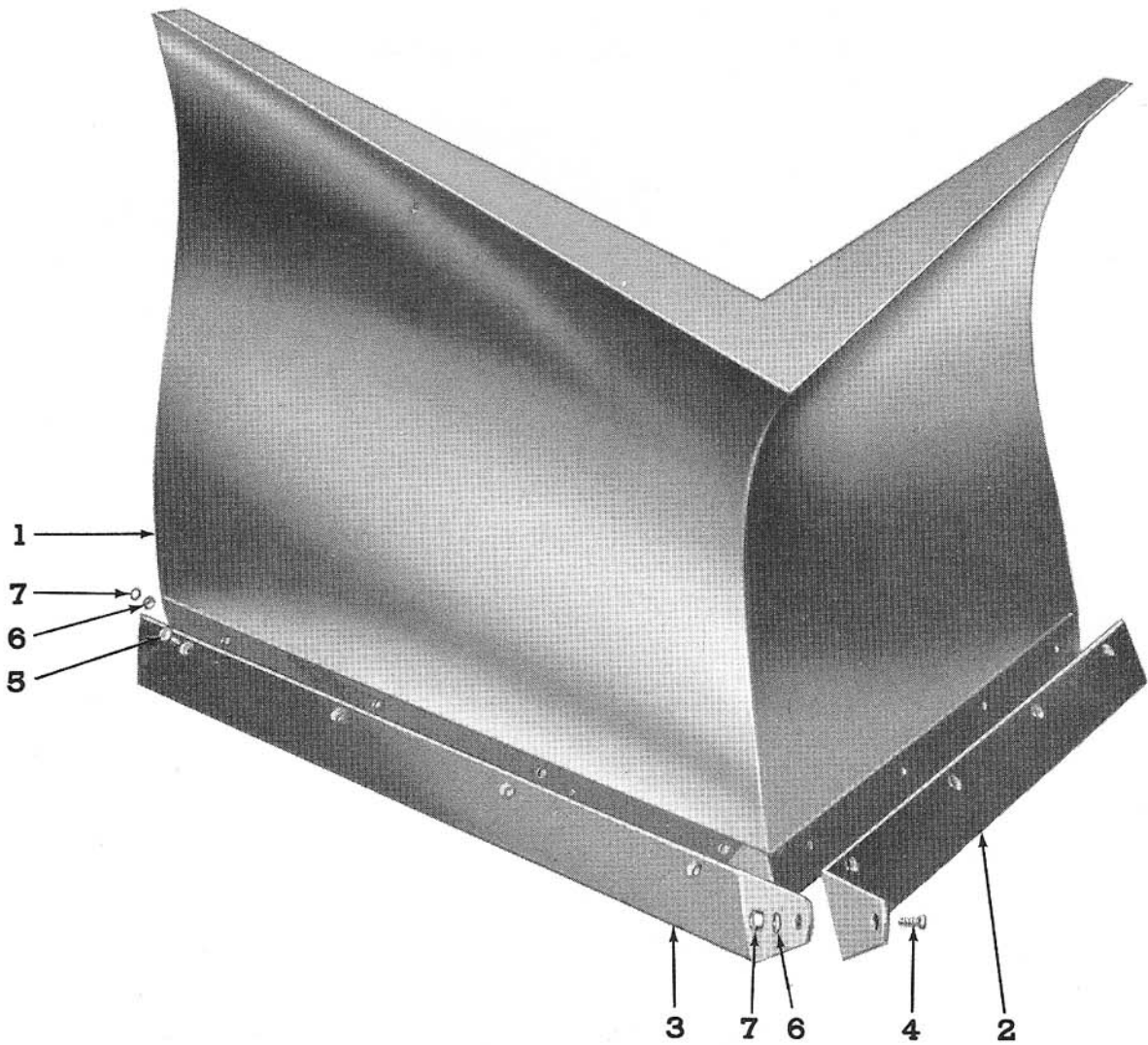
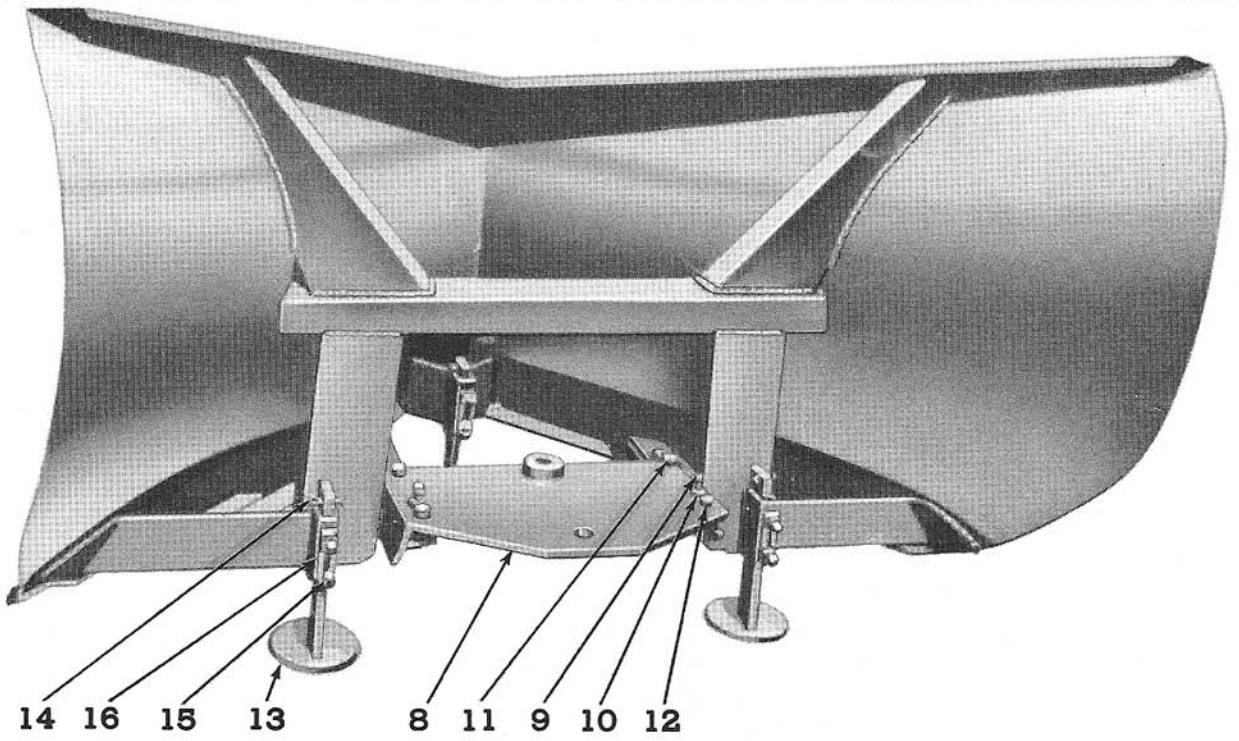


Figure 26 - "V" Snow Plow

Frames

FIG. 26	PART NO.	NAME AND DESCRIPTION	QTY. REQ.
		Group 2-5—BLADE ASSEMBLY SNOW PLOW, Model 19-4	
1	190222	BLADE (Welded Assembly)	1
2	190220	LIP, Cutting, Left	1
3	190221	LIP, Cutting, Right	1
4	303338	BOLT, 1/2" - 13 x 1-1/4" Plow	1
5	300308	BOLT, 1/2" - 13 x 1-1/2" Plow	8
6		LOCKWASHER, 1/2" } Lip to Blade	9
7		NUT, 1/2" - 13 Hex. }	9
8	190243	PLATE, Adapter (Welded Assembly)	1
9		SET SCREW, 5/8" - 11 x 1-3/4" Sq. Hd. Cup Pt. } Plate Adjusting	2
10		NUT, 5/8" - 11 Hex. Jam }	2
11		BOLT, 5/8" - 18 x 1-3/4" Hex. Hd. }	2
12		BOLT, 5/8" - 18 x 2-1/4" Hex. Hd. }	2
--		LOCKWASHER, 5/8" } Plate to Blade Base	4
--		NUT, 5/8" - 18 Hex. }	4
13	190034	SHOE, Skid	3
14		COTTER PIN, 1/4" x 1-1/2"	3
15		SET SCREW, 1/2" - 13 x 1-3/4" Sq. Hd. Cup Pt. } Skid Shoe	6
16		NUT, 1/2" - 13 Hex. Jam }	6
		 NOTE: Available for Service:	
--	300002	BOLT, 1/2" - 13 x 1-1/4 Flat Hd. Ctsk. - Lip to Blade	9

Group 3—SCOOPS

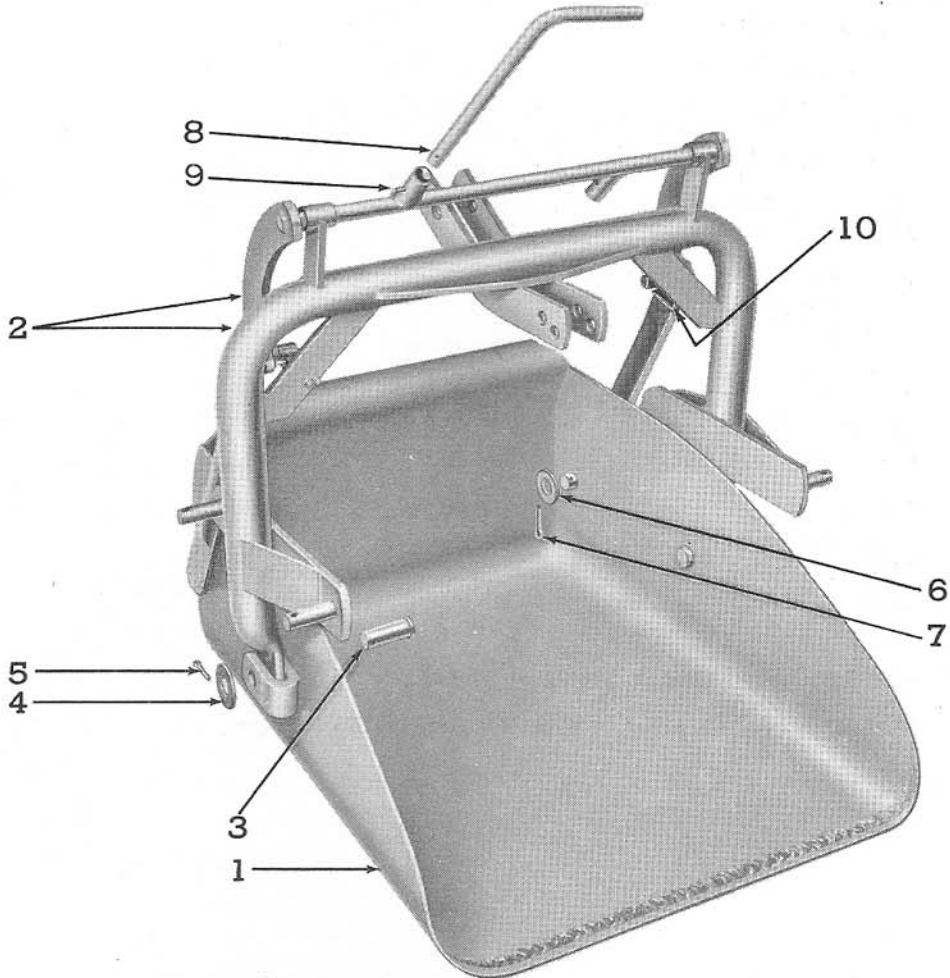


Figure 27 - Ford Reversible Scoop, Model 19-84

FIG. 27	PART NO.	NAME AND DESCRIPTION	QTY. REQ.
Group 3-1—FORD REVERSIBLE SCOOP, Model 19-84			
1	194520	BODY, Scoop (Welded Assembly)	1
2	194511	YOKE and TOGGLE (Welded Assembly)	1
3	192982	PIN, 1 x 2-15/16" Clevis	} Yoke to Body
4		WASHER, 1 Flat	
5		COTTER PIN, 3/16 x 1-1/2"	
6		WASHER, 7/8" Flat	
7		COTTER PIN, 1/4 x 1-1/2"	
8	194506	HANDLE, Toggle	1
9		BOLT, 1/4" - 20 x 1-1/2" Hex. Hd.	} Handle to Yoke
-		LOCKWASHER, 1/4"	
-		NUT, 1/4" - 20 Wing	
10	194981	CATCH, Toggle Spring	
--		BOLT, #10 - 32 x 7/8" Rd. Hd. Stove	} Catch to Yoke
--		LOCKWASHER, #10	
--		NUT, #10 - 32 Hex.	
--	190083	LIP, Cutting	1
--	305229	DECAL, Ford	1

Scoops

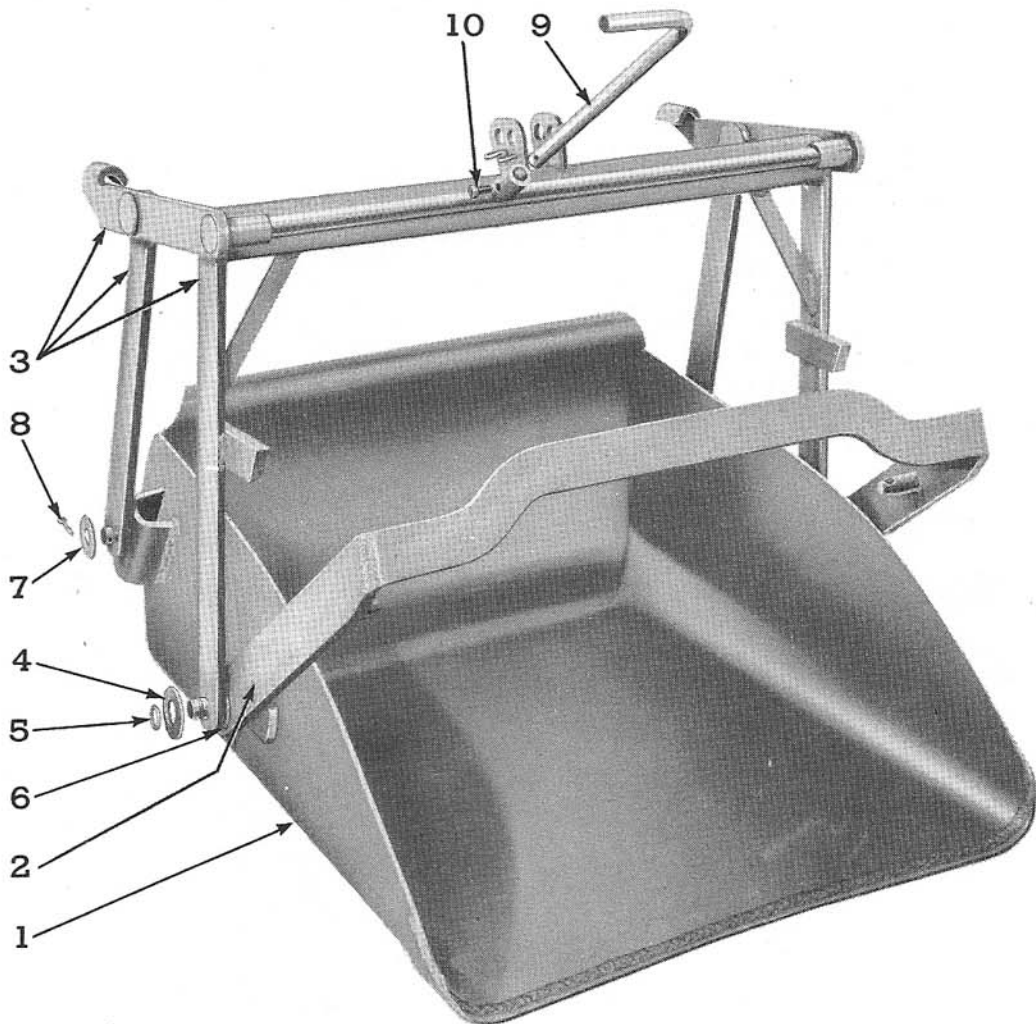


Figure 28 - Scoop, Model 19-6

FIG. 28	PART NO.	NAME AND DESCRIPTION	QTY. REQ.
		Group 3-2—SCOOP ASSEMBLY SCOOP, Model 19-6	
1	190080	BODY (Welded Assembly)	1
2	190098	YOKE, Draw (Welded Assembly)	1
3	190117	YOKE and TOGGLE, Upright (Welded Assembly)	1
4	190115	WASHER, 7/8" Flat (Special)	
5	190116	RING, Retaining Front Pin	2
6		WASHER, 7/8" Flat	
7		WASHER, 3/4" Flat	
8		COTTER PIN, 1/4" x 1-1/2" Rear Pivot Pin	2
9	190114	LEVER, Dump	1
10		BOLT, 5/16" - 18 x 3/4" - Lever to Upright Yoke	1
--	190083	LIP, Cutting	1

Display

Group 4—MERCHANDISING DISPLAY

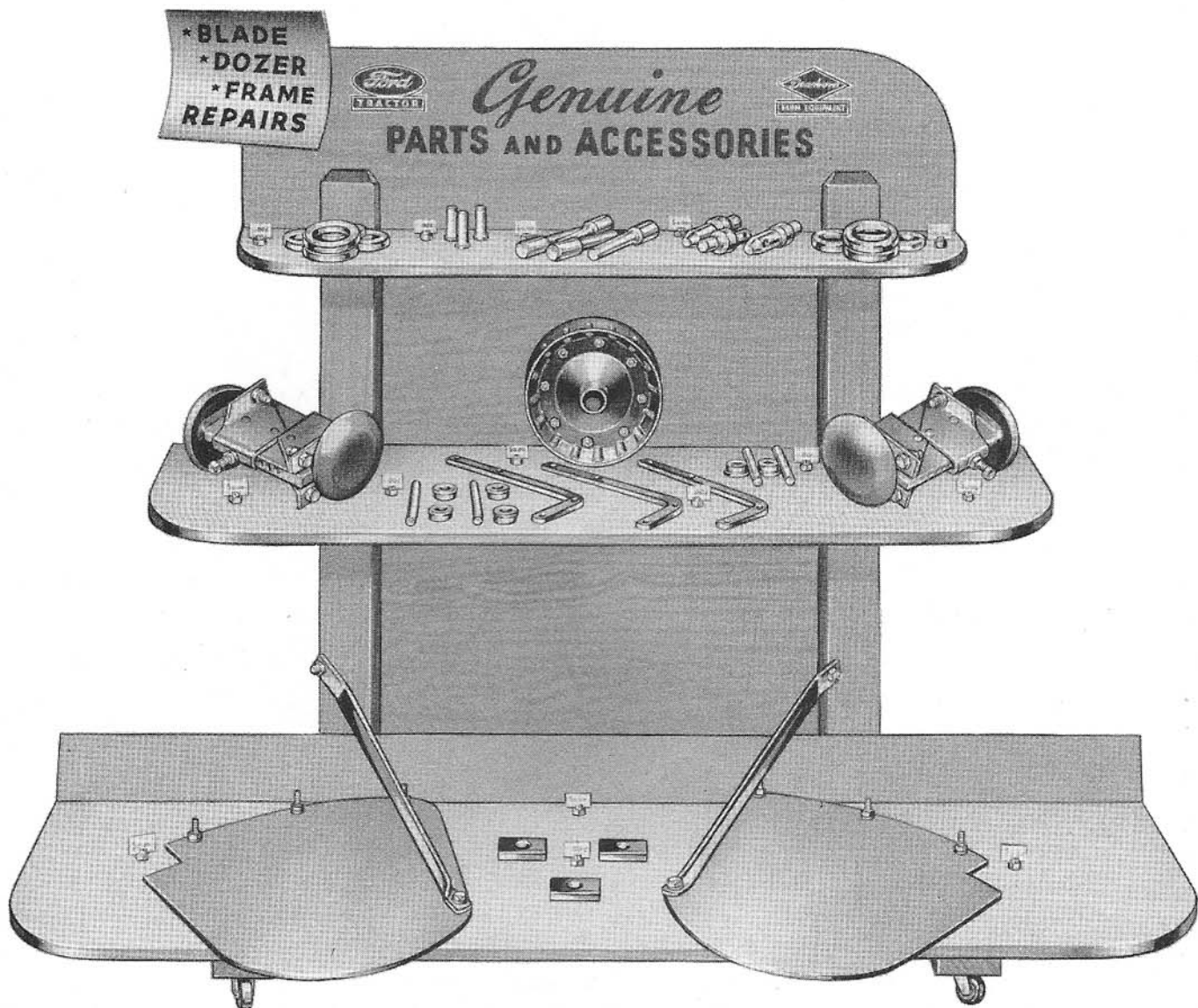


Figure 29 - Parts Display

*Blade

*Dozer

*Frame Repairs

Part No.	Description	Location
190033	Shoe and Bracket Assy	4 Center Shelf
190159	Block, Retainer	3 Bottom Shelf
190171	Lever, Lock Pin	3 Center Shelf
190200	Edge, Cutting	3 Bottom Shelf
190211	Plate and Brace Assembly, Left	2 Bottom Shelf
190212	Plate and Brace Assembly, Right	2 Bottom Shelf
191001	Pin, Clevis	3 Top Shelf
191042	Pin, Lock	3 Top Shelf
191245	Gauge Wheel, Less Tire	1 Center Shelf
191247	Bearing, Oilite	6 Center Shelf
191248	Axle, Gauge Wheel	4 Center Shelf
221168	Seal, Oil	10 Top Shelf
221455	Pin, Linch	3 Top Shelf

Blades and Scoops

NUMERICAL INDEX

PART NO.	PART NAME	PAGE NO.	PART NO.	PART NAME	PAGE NO.
2N-574	Pin	13, 14, 39	190172	Pin	27
2N-575	Pin	13, 14, 39	190173	Rod	26
103006	Washer	19	190174	Bar	26
103880	Pin	13	190176	Bolt	27
112220	Decal	19	190178	Bolt	26
141661	Pin	34	190179	Frame	26
144949	Spacer	17	190197	Blade	28
147075	Washer	17	190200	Lip	28, 41, 43, 48
147076	Bearing	17	190211	Plate & Brace	28, 48
147077	Cup, Hub	17	190212	Plate & Brace	28, 48
147080	Wheel Assembly	17	190220	Lip	45
190001	Spring	43	190221	Lip	45
190002	Cap	43	190222	Blade	45
190003	Rod	43	190243	Plate	45
190004	Eye Bolt	43	190607	Bushing	37
190005	Rod	41, 43	191001	Pin	22, 48
190006	Bushing	41, 43	191007	Screw	22
190007	Rod	43	191014	Lever	21
190008	Spacer	43	191023	Pin	21
190009	Bar	41, 43	191035	Blade	23
190010	Blade & Turntable	43	191037	Lip	23
190013	Lip	43	191038	Seal	21
190021	Turntable	41, 43	191039	Cup	21
190028	Release	43	191040	Cone	21
190033	Shoe & Bracket	15, 28, 41, 43, 48	191042	Pin	21, 48
190034	Shoe	28, 41, 43, 45	191043	Spring	21
190042	Plate & Brace	43	191044	Cap	21
190043	Brace	43	191045	Spring	21
190044	Plate	43	191046	Handle	21
190047	Plate & Turntable	41	191048	Pin	21
190055	Plate & Brace	41	191054	Lockwasher	23
190057	Brace	41	191055	Nut	23
190058	Plate	43	191056	Cover	21
190059	Plate & Brace	43	191057	Lever	21
190062	Bracket	28, 41, 43	191211	Support	31
190080	Body	47	191216	Bearing	31
190083	Lip	46, 47	191218	Fork	31
190098	Yoke	47	191221	Washer	31
190114	Lever	47	191222	Bracket	31
190115	Washer	47	191225	Bolt	31
190116	Ring	47	191227	Bracket	31
190117	Yoke & Toggle	47	191231	Block	31
190121	Bracket	39	191233	Nut & Sleeve	31
190122	Guard	39	191239	Crank	31
190123	Shaft	39	191241	Bracket	31
190124	Pulley	39	191245	Gauge Wheel Assy.	31, 48
190126	Bar	39	191247	Bearing	31, 48
190127	Holder	39	191248	Axle	31, 48
190151	Cable Assembly	39	191249	Retainer	31
190155	Pin Assembly	39	191320	Washer	31
190157	Chain	33, 39	191370	Frame Assembly	21
190158	Retainer Assembly	39	191380	Blade	23
190159	Block	39, 48	191381	Lip	23
190160	Chain	39	191741	Rivet	26
190162	Bracket	39	192114	Hose	36
190166	Kit	43	192115	Union	36
190171	Lever	27, 48			

Blades and Scoops

NUMERICAL INDEX (Con't)

PART NO.	PART NAME	PAGE NO.	PART NO.	PART NAME	PAGE NO.
192305	Arm	22	194790	Tube	13
192473	Pin	34	194800	Sleeve	13
192570	Link Assy.	22	194810	Blade Assy.	14
192571	Screw	22	194815	Pin	13, 14
192575	Tube	22	194818	Pin	17
192576	Tube	22	194827	Lip	14
192982	Pin	46	194829	Collar	13
193671	Lever	21			
194011	Bracket	39	194981	Catch	46
194024	Cable Assy.	39	195089	Strut	34
194030	Frame	39	195095	Link	34
194035	Bracket	39	195096	Pin	34
194101	Yoke	22	195097	Bracket	34
194283	Quadrant	39	195101	Hook Assy.	34
194490	Eye	22	195211	Clamp	36
194506	Handle	46	195212	J-Bolt	36
194511	Yoke & Toggle	46	195232	Bracket	16
194520	Body	46	195234	Link	13
194581	Pin	16	195235	Link	13
194587	Pin	17	195237	Spring	13
194588	Spacer	16	195239	Pin	13
194590	Screw	16	195241	Lifter	13
194591	Crank	17	195363	Bracket	36
194596	Arm	16	195365	Hose	36
194610	Frame	19	195367	Pin Assembly	33
194617	Turntable	19	195370	Tube	34
194622	Bolt	19	195375	Remote Cylinder Kit	35, 37
194624	Nut	19	220717	Cap	17
194626	Bar	19	220976	Fork	17
194628	Blade	19	221168	Seal	48
194629	Angle	19	221224	Pin	21, 22
194662	Bolt	33	221455	Pin	14, 24, 48
194663	Arm	33	221459	Support	24
194666	Pin	33	221472	Kit	24
194669	Cylinder Assy.	36	231025	Valve & Manifold Kit	36
194671	Bearing	17	230560	Cylinder	37
194677	Pipe	36	230952	Remote Control Valve Kit	37
194678	Pipe	36	231025	Valve & Manifold Kit	37
194698	Pin	22	300002	Bolt	28, 45
194734	Cable Assy.	34	300095	Pin	39
194737	Pin	34	300308	Bolt	14, 23, 28, 41, 43, 45
194753	Shaft	23	300318	Pin	31
194755	Shaft	23	301030	Bolt	39
194757	Pin	34	302924-S8	Bolt	17
194758	Pin	33	303338	Bolt	45
194759	Pin	36	303959-S8	Pin	16
194763	Spacer	36	303981	Pin	13
194764	Spacer	35, 37	305224	Decal	33
194766	Yoke	35, 37	305225	Decal	13
194772	Sheave	34	305229	Decal	46
194775	Point	15, 19			
194776	Side Plates	15, 19			
194780	Frame Assy.	13			